

1

Installation of KOMPAN FREEGAME structures

These instructions describe installation of KOMPAN FREEGAME structures.

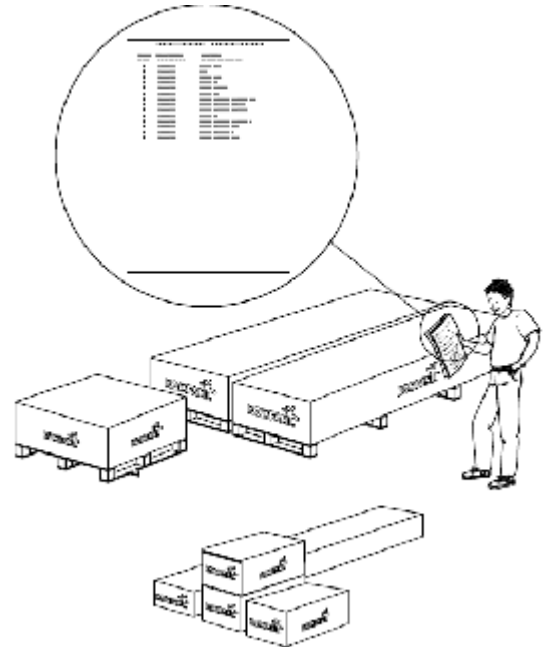
IMPORTANT!

Please read these instructions before beginning installation.

In addition to these general instructions you will find assembly instructions, isometric views, post layout drawing etc. in the Instruction Manual.

All the packages are furnished with labels carrying reference numbers. Use the list of packages to check that all the packages are present before starting installation.

All components are furnished with reference numbers corresponding with the reference numbers in the instruction.



2

Tools

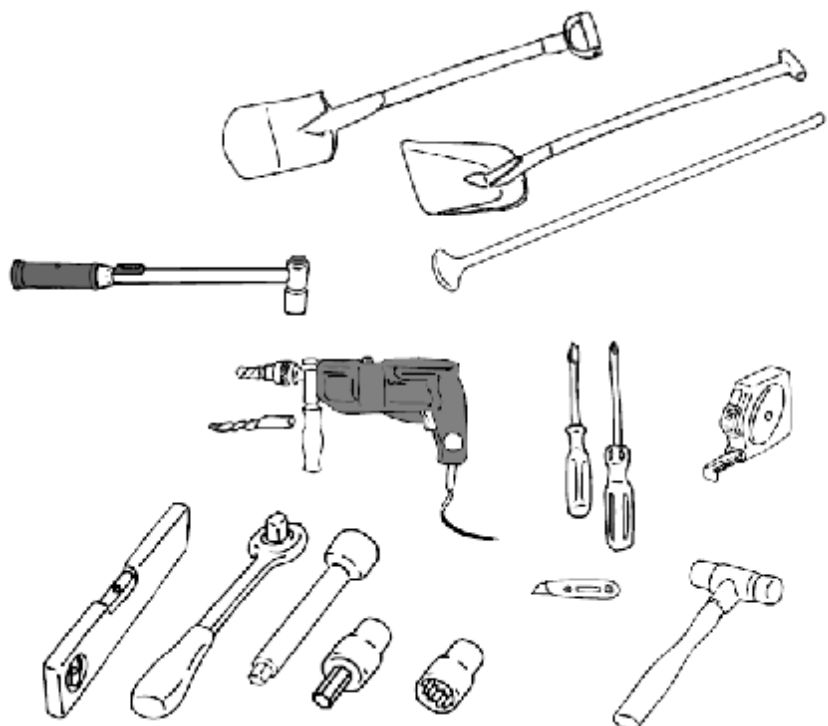
The following tools are required for installation:

Tools for digging:

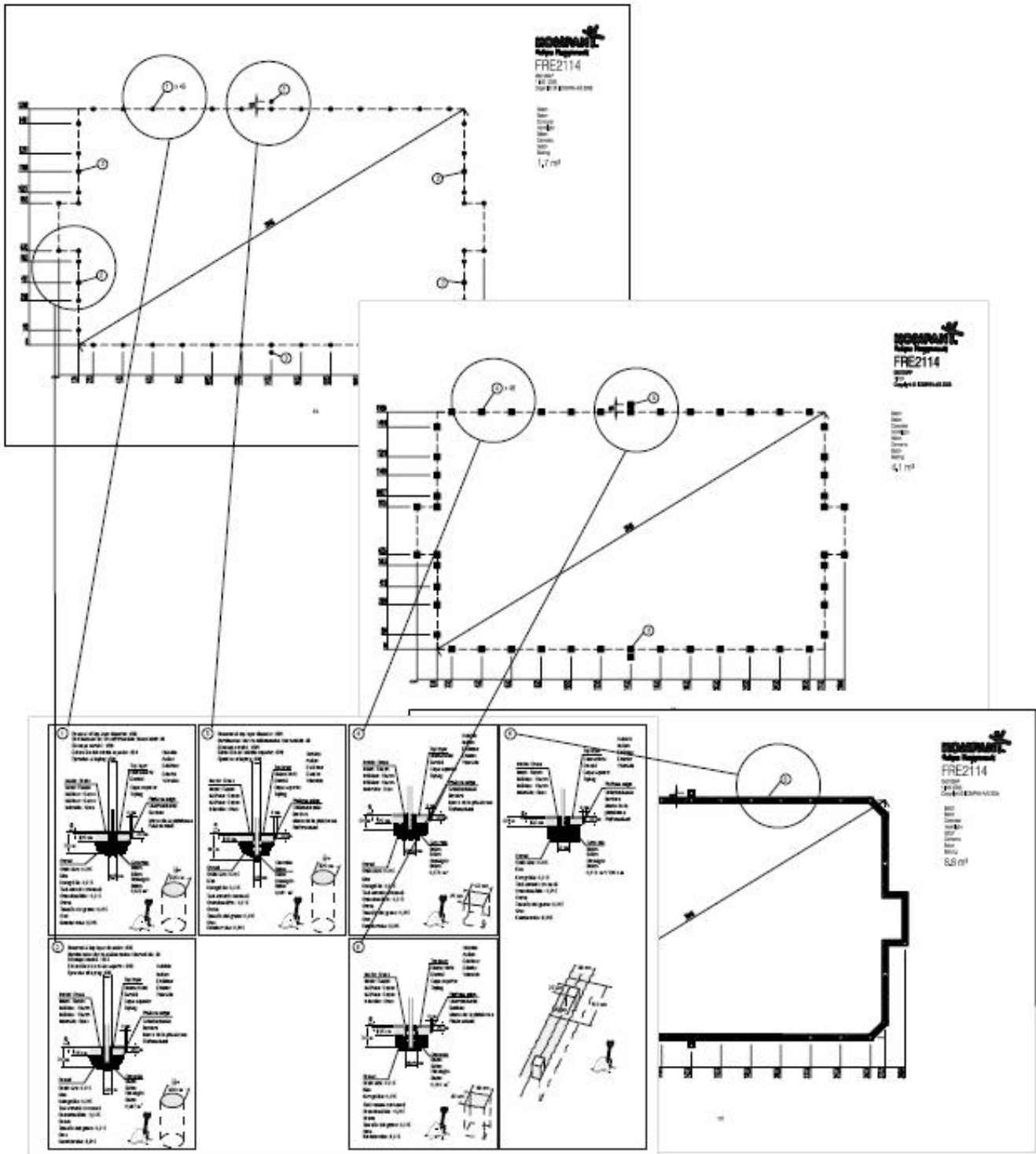
- Shovel
- Spade
- Posthole digger
- Tamping bar

Other tools:

- Measuring tape *)
- Stepladder
- Bubble level
- Drill set
- 4" C-clamp
- Socket wrench set with extension *)
- Rubber mallet
- Hexagon key set *)
- Drilling machine
- Bits set (Torx and Phillips)
- Bit adaptor
- Knife
- Screwdriver
- Torque wrench
- *) metric



The plan drawing shows a hatched area with a number (1, 2, 3, 4, 5, 6, etc.). The hatched area indicates the size of the foundation. Each hatched area is numbered, and the number refers to a drawing showing the size and depth of the hole and the amount of concrete to be used. The drawings are on the last page in the folder.



3

Assembly

Make sure that the position and depth of the foundation holes are correct before starting the installation.

Also check that the slope of the surface corresponds with the layout.

KOMPAN FREEGAME equipment requires concrete foundation as shown in the layout.

Make sure the concrete is dry and set before proceeding to the next step.

It is important to proceed in the order shown in the instructions.

Bolts must be tightened by hand. When installation is finished, all bolts must be checked. Button head bolts must be tightened at 15 Newton meter, cuphead bolts and machine bolts at 25 Newton meter.

After having tightened the bolts according to specifications, place the Do-nut caps as shown in the instructions.

It is important that the special Do-nuts with labels are placed correctly. Please see the instructions.

4

Disposal

General guidelines for disposal of various materials:

Materials that should be collected to be recycled:

- Stainless steel
- Aluminum
- PE (polyethylene) – all types

Materials that should be incinerated at high temperature (industrial incineration):

- HPL (High Pressure Laminate)
- Plywood
- PUR (Polyurethane)
- Other plastic types

Materials that should be disposed of in accordance with local regulations:

- Pressure treated wood
- Galvanized steel
- Painted or powdercoated steel

5

Maintenance

Important Safety Information

Congratulations on your selection of a KOMPAN FREEGAME play structure. You have chosen a high quality product that has been carefully designed, manufactured, and tested to meet or exceed all current European safety standards at the time of manufacture. Play safety is a partnership that begins with KOMPAN and continues with your role as an owner/operator. Our play consultants have already assisted in creating a comprehensive design that addresses child development and play value, safety and accessibility, and even the fit of your new equipment into the existing landscape. Now, the rest is up to you...

Providing Supervision

We suggest that you review all warning labels and other safety information with teachers and/or parents so that they may instruct children in proper use of your KOMPAN FREEGAME play structure and caution them against unsafe habits. Do not permit potentially dangerous items such as loose ropes, glass, etc. to be introduced into your play area. Remember to ask both children and supervisors to notify you if they find any problem.

Inspections:

Inspections are the most important aspect of any maintenance program, ensuring that serious maintenance issues don't go unchecked. Perform the following inspections weekly, quarterly, and annually, as outlined below, covering the various points as follows:

Routine Visual Weekly Inspection:

A Routine Visual Weekly Inspection should cover the following points:

- Check for obvious splinters or cracks in handrails and panels
- Check to see if the drain at the base of each panel is free of sand/debris
- Check for obvious holes or cuts in the synthetic grass
- Check for obvious tears or cuts in nets
- Check to make sure that the net and cables are properly fixed
- Check for general cleanliness (graffiti, dirt, garbage, leaves)
- Check for any missing parts (screws, nets and cables, basketball hoop fittings)

Quarterly Functional Inspection:

A standard Quarterly Functional Inspection should cover the points below, as well as the points covered above in the Routine Weekly Visual Inspection:

- Check for cracks or knots that have come free in handrails and panels
- Check for rust (screws, posts, basketball rim and fittings)
- Check for any chipped paint on metal components
- Check post stability – is the anchoring still solid?
- Check all connections between posts – are connections still tight?
- Check basketball hoop and backstop connections
- Check the quantity of sand in synthetic grass (is the grass level higher than the sand level?)
- Check to make sure that the product ID is in place

Annual Safety Inspection:

In addition to the points covered in the Routine Visual Weekly Inspection and the Quarterly Functional Inspection, an Annual Safety Inspection should also check the following:

Identify overall equipment safety, surface foundations (e.g.: effects induced by extreme weather conditions, evidence of rotting or corrosion) and any variations in the equipment safety level requiring repair work or additional or replacement parts. It is important to pay special attention to permanently sealed parts. If any safety concern is identified, it should be corrected immediately. If this is not possible, use of the equipment must be inhibited.

Maintenance:

Routine Maintenance:

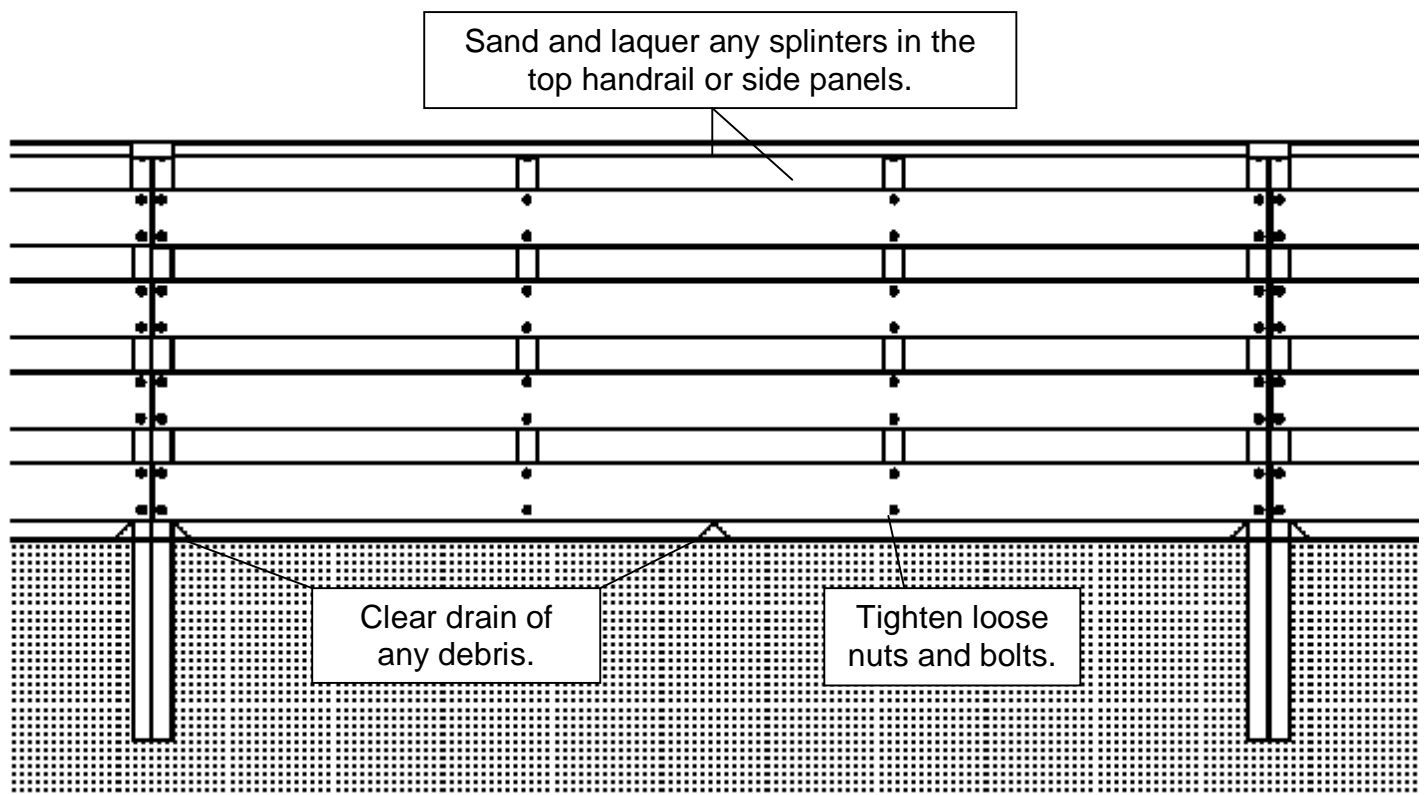
Routine Maintenance should be performed regularly, based on the results of any of the above inspections.

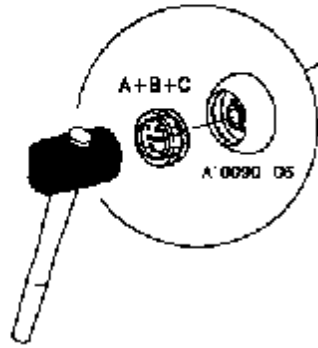
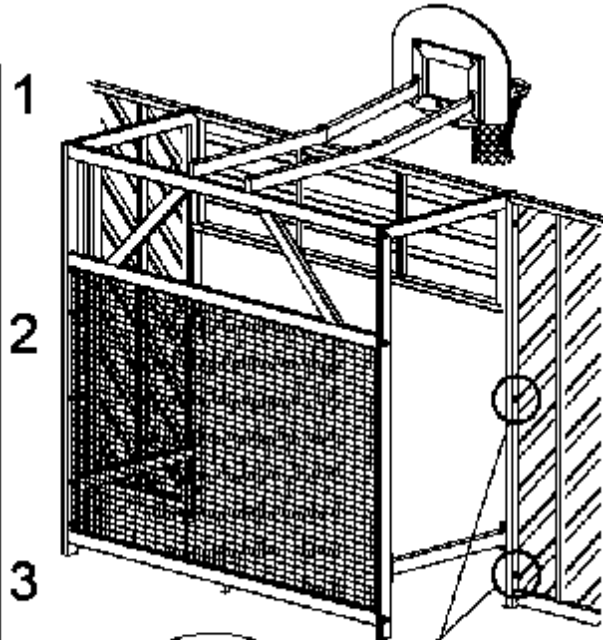
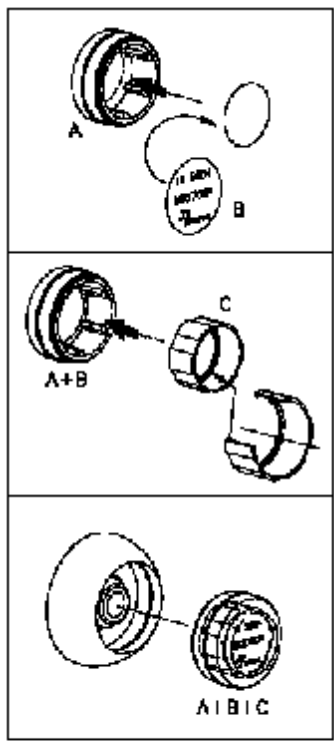
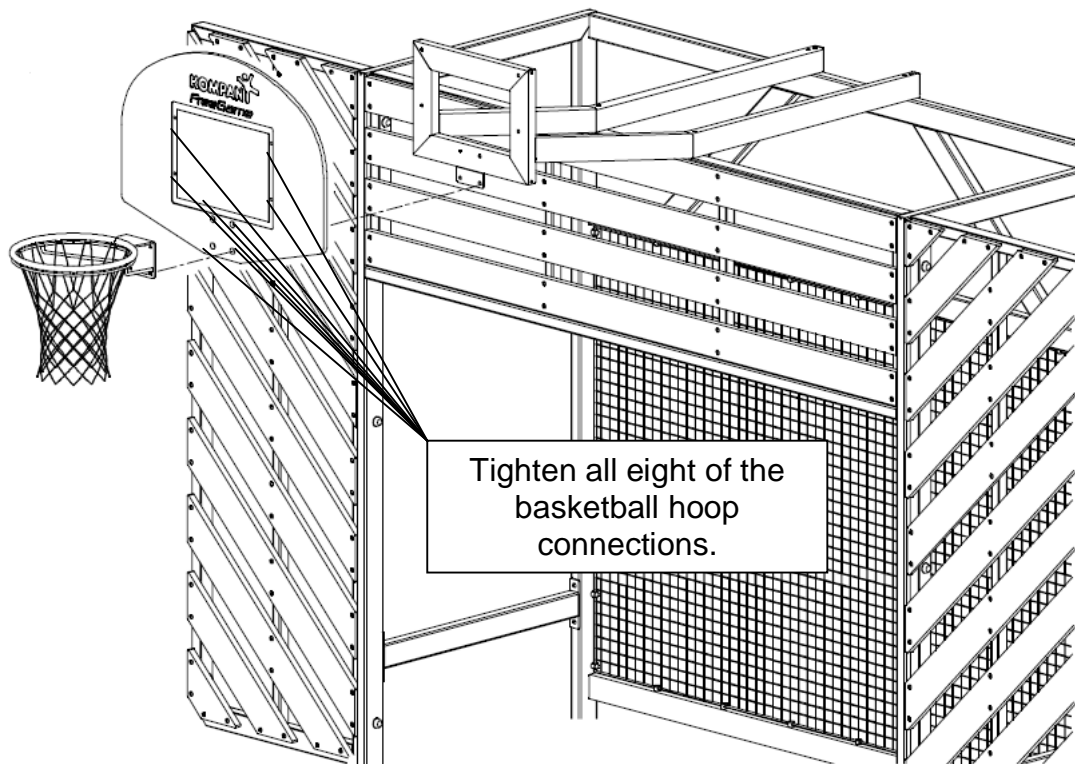
- Wash the structure/panels when necessary
- Sand splinters and knots until smooth
- Replace boards or handrails on wooden structures if sanding smooth is not possible
- Tighten down all connections (nuts and bolts, especially basketball hoop)
- Add 3 kilos sand per square meter if sand level is lower than top of synthetic grass
- Sweep sand from edges of grass back to the center
- Remove sand and other obstructions from the drains at the base of each panel
- Repair or replace nets
- Repair synthetic grass

Corrective Maintenance:

Corrective Maintenance should be performed as soon as possible; the items listed in the Corrective Maintenance section of this document could present a safety hazard if left uncorrected.

- Repair cuts or holes in nets (or replace nets entirely)
- Repair cuts or holes in synthetic grass
- Sand away splinters and rough wooden areas
- Tighten any loose bolts
- Replace any missing or damaged boards/panels or other hardware

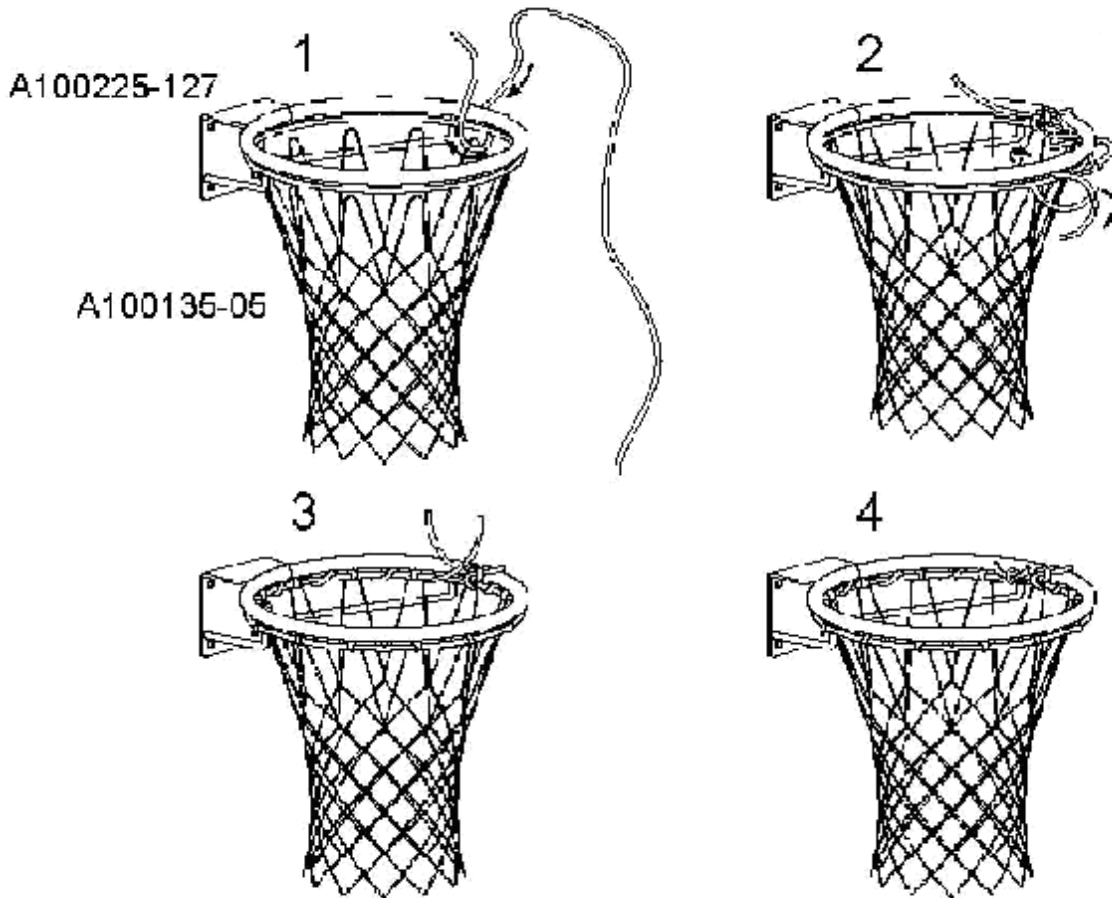




Make sure that ID labels are installed.

Specific Maintenance instructions:

Nylon net replacement:



Metal or reinforced nylon net replacement:

