

NOTES

The window/door system shall be Kite marked in compliance with BS 7412:1991 and BS 7950 (formerly PAS 011), using materials Type A complying with BS 7413:1991, and the window fabricator/installer shall be a Licensed Kite marked manufacturer to BS 7412 and BS EN ISO.9002:1987/BS 5750: Part 2:1987, and a full copy of his licence shall accompany the Tender.

The windows and doors and the installation shall comply with all current British Standards, Codes of Practice, Statutory Requirements and Building Regulations relevant to their performance.

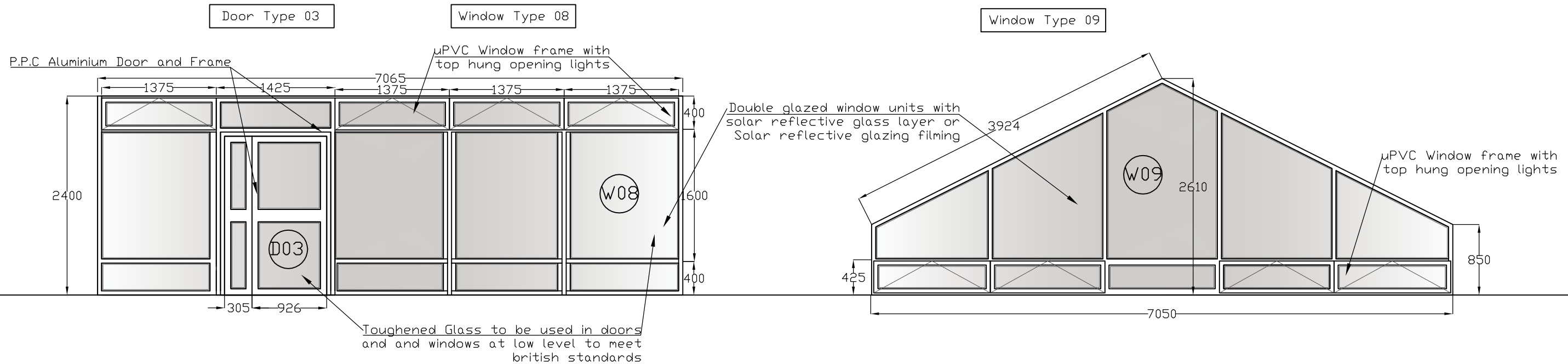
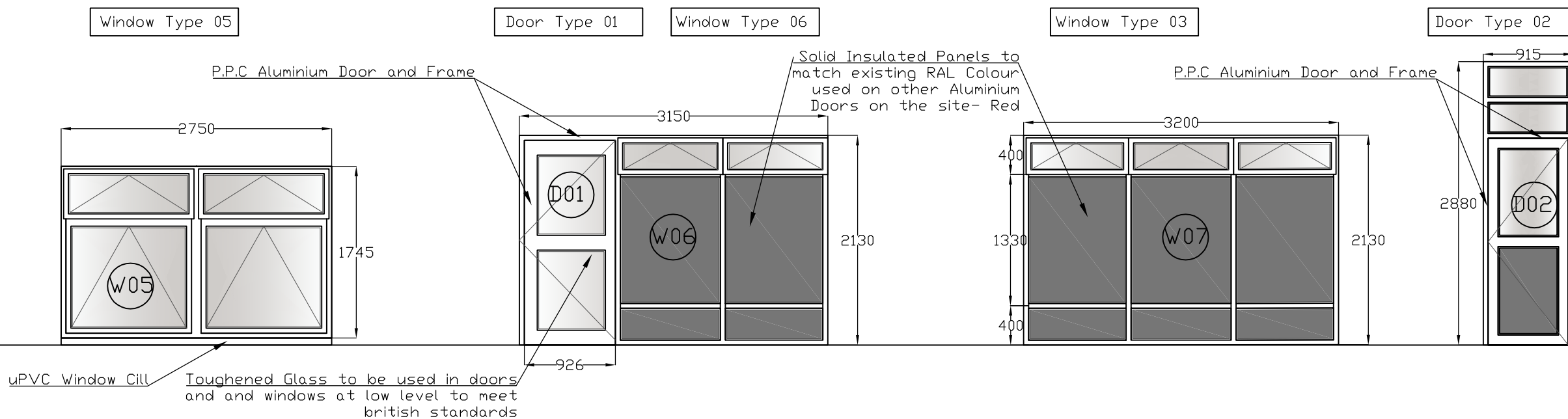
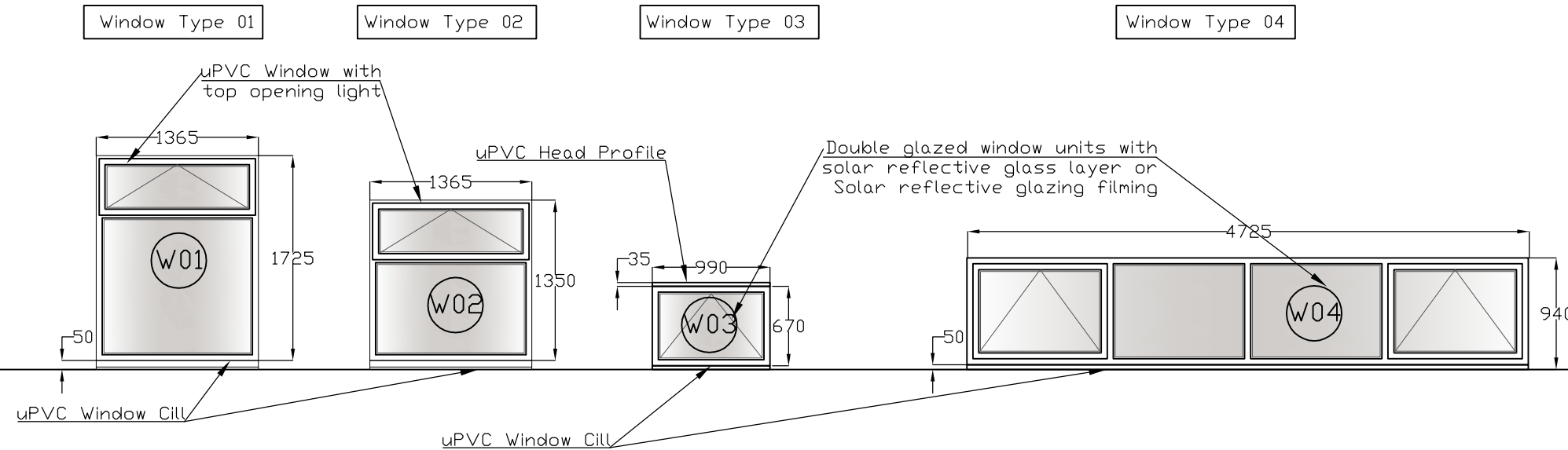
The installer shall be a F.E.N.S.A. member.

The window assemblies are to be manufactured and installed to the highest quality levels and the manufacturer/supplier must produce certified evidence that they comply with the following summarised standards:

1. The BPWG/GGF Trade Standards for UPVC Windows.
2. BS EN ISO 9001 and BS 9002 Schemes for Quality Assurance Standards Management.
3. BS 5368:Parts 1 to 3 and BS 6375:Part 1 -Classification of Weather tightness Operation and Strength Characteristics.

Windows must meet the following ratings in respect of Exposure Category B:

1. Air permeability 600 PA
 2. Water tightness 300 PA
 3. Wind resistance 2000 PA
- Double glazing max: 1/175 deflections as laid down in BS 6375 Pt. 1. 1989



| Rev | Revision Note | By | Checked | Approved | Date |
|-----|---------------|----|---------|----------|------|
| | | | | | |

Client
John Leggott College

Project
Replacement Window Project

Status
INFORMATION

Scale
1:50 @ A3

| | |
|---|-----------------------------|
| B TYNAN LTD BUILDING SERVICES ENGINEERING DESIGN | Window/Door Schedule |
| | Dwg No AL(PLA)13 Rev |