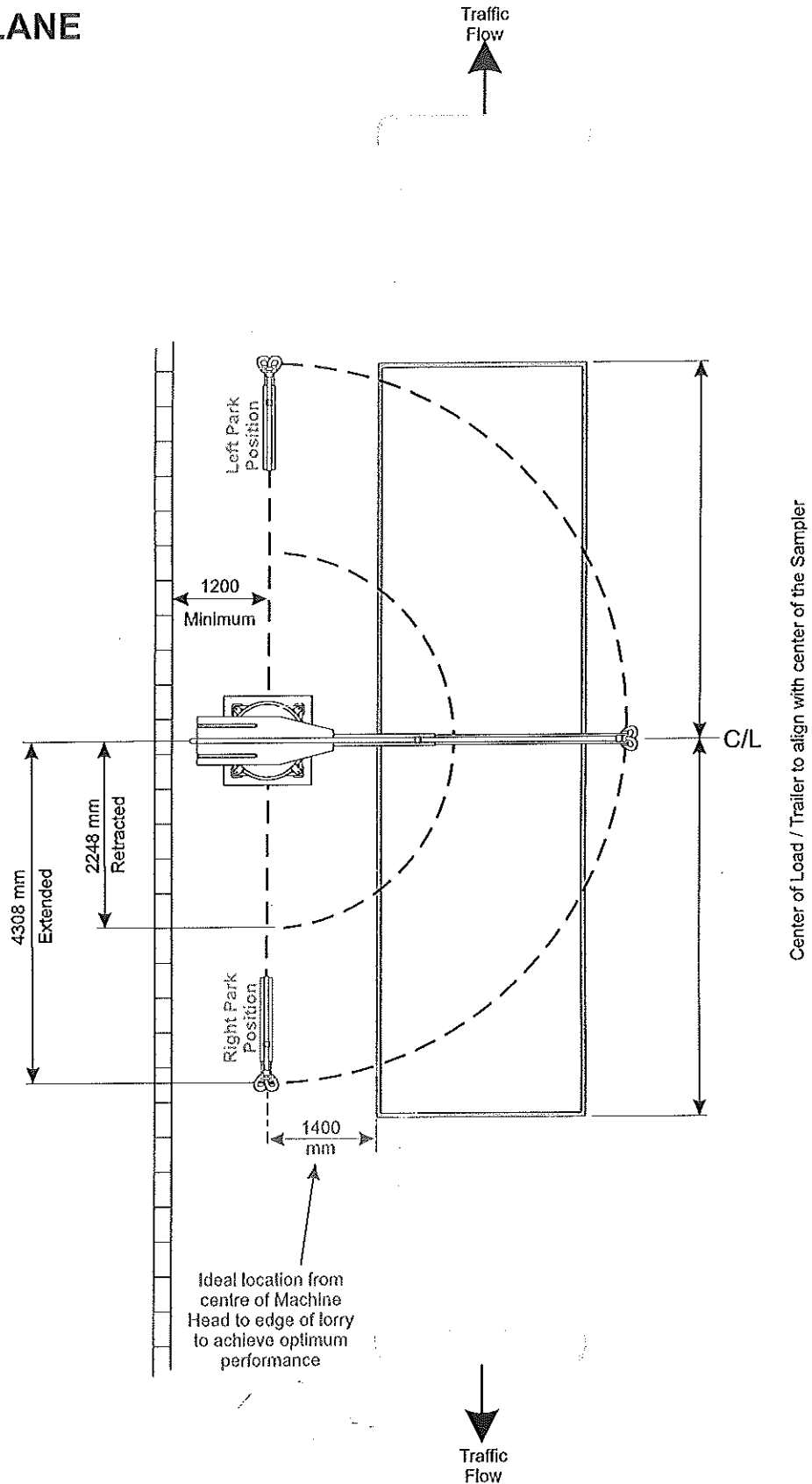


TECHNICAL SPECIFICATION CS90 BULK SAMPLER



PLANNING IN SINGLE LANE



TECHNICAL SPECIFICATION CS90 BULK SAMPLER



PLANNING IN SINGLE LANE FRAME SUPPORT

