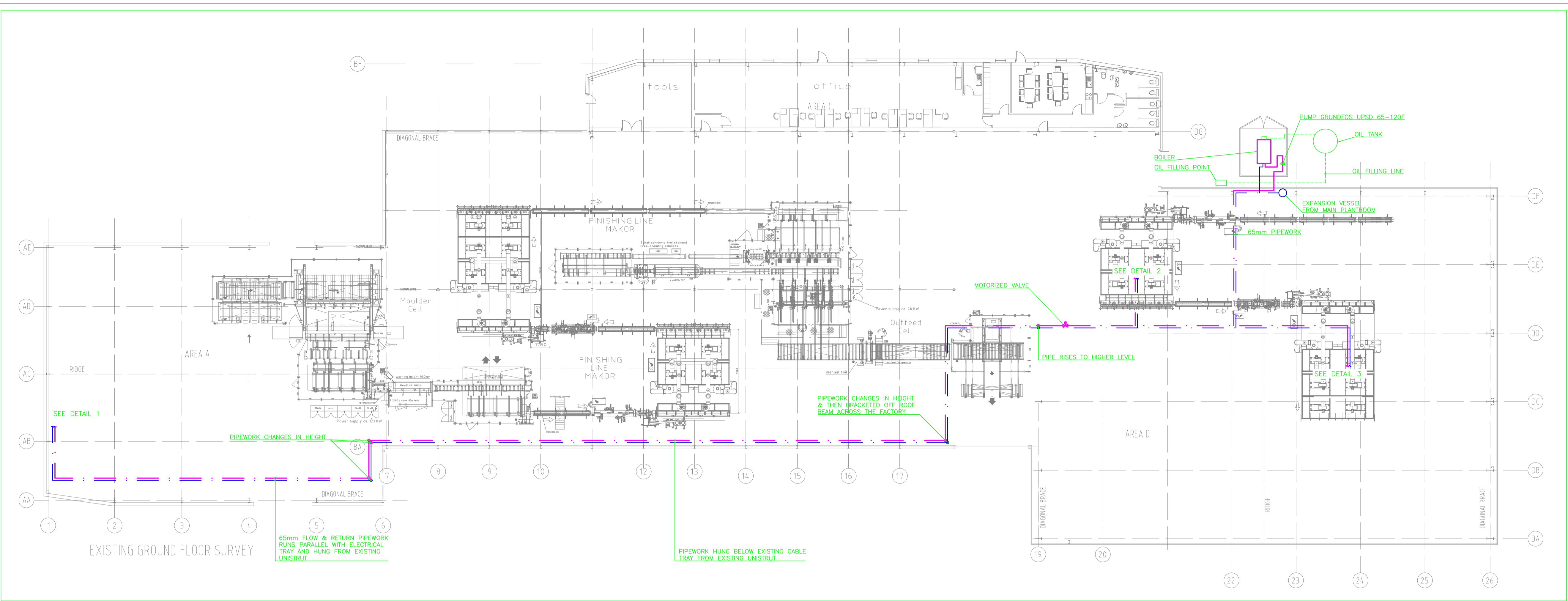
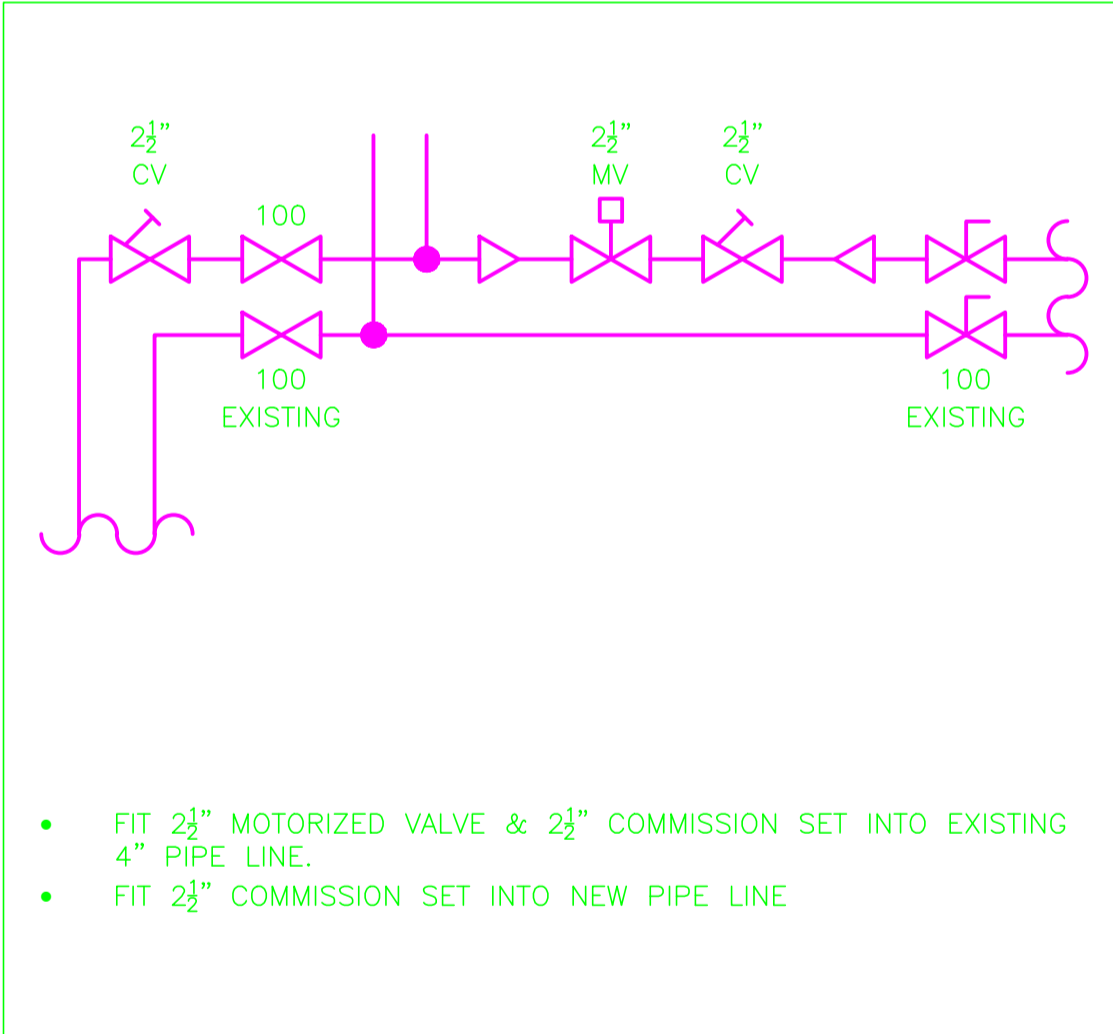


This drawing may not be reproduced either in part or in full without permission from the Neville Tucker Heating Design Department. All scaled dimensions taken from this drawing are to be verified on site.

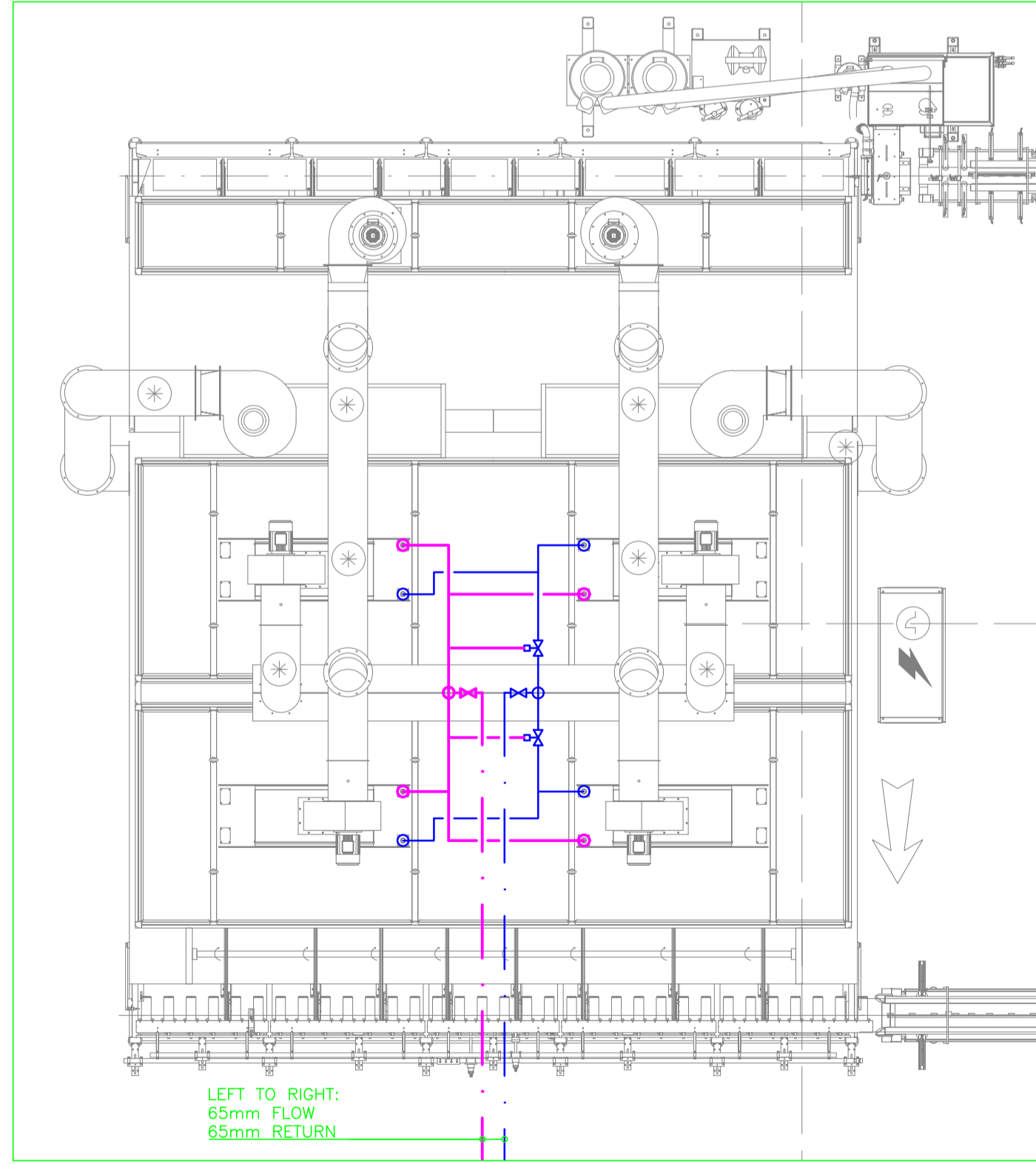


FACTORY PIPEWORK LAYOUT –
SCALE:– 1:200

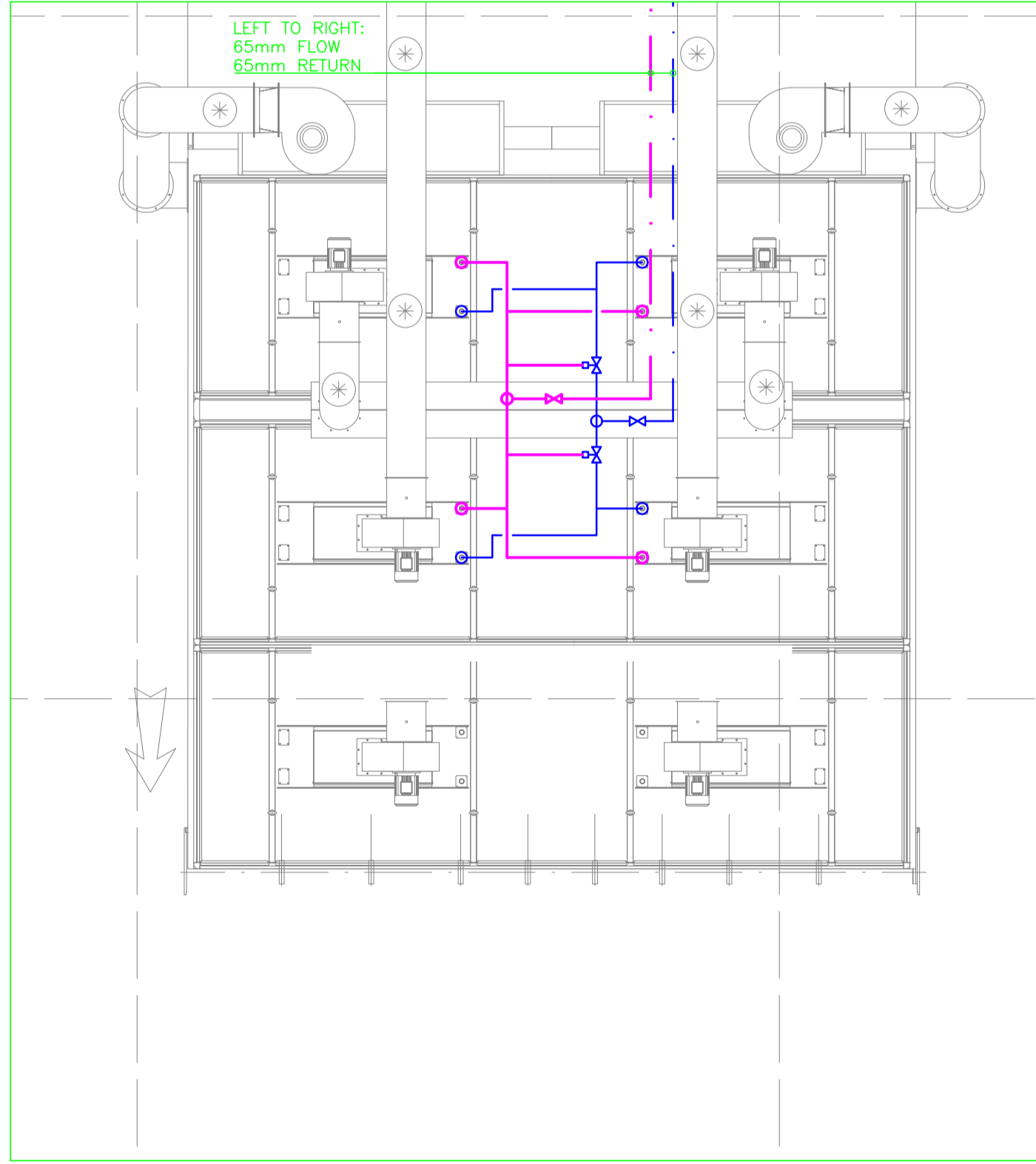


- FIT 2 1/2" MOTORIZED VALVE & 2 1/2" COMMISSION SET INTO EXISTING 4" PIPE LINE.
- FIT 2 1/2" COMMISSION SET INTO NEW PIPE LINE

DETAIL 1 – INCOMING WATER SCHEMATIC

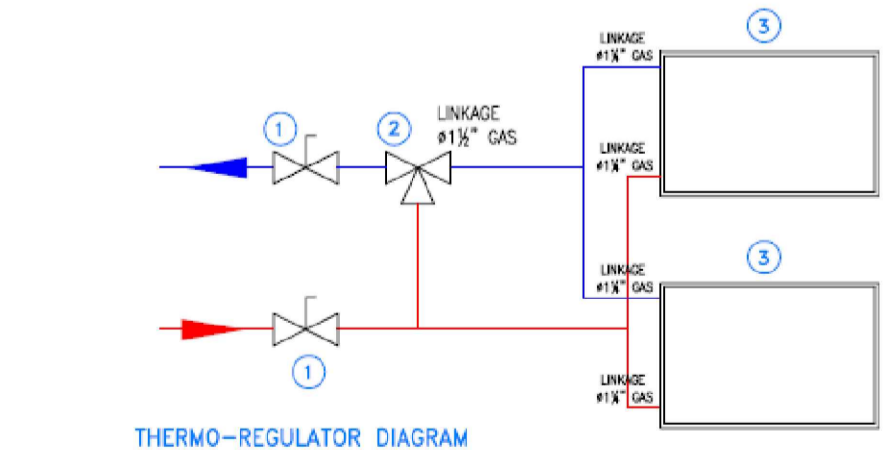
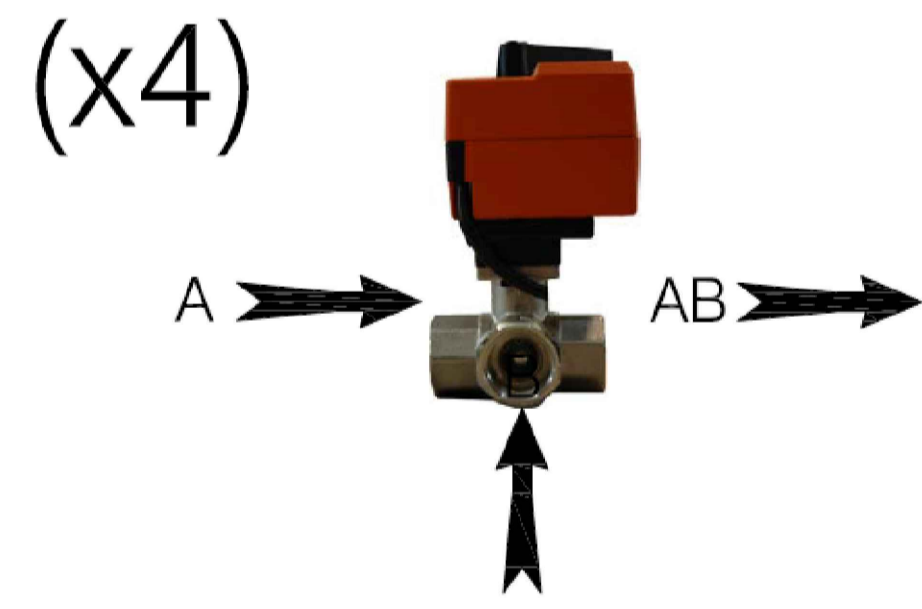


DETAIL 2 –
SCALE:– 1:50



DETAIL 3 –
SCALE:– 1:50

VALVE TO ADJUST HOT WATER BATTERY TO BE INSTALLED ON THE HOT WATER BATTERY EXIT PIPE



THERMO-REGULATOR DIAGRAM

#	OBJECT	TYPIC
1	MANUAL TWO-WAY VALVE	unsupported by Makor
2	3 WAY VALVE – R329+NR24-SR vd	supported by Makor
3	COIL	supported by Makor

PIPES UNSUPPORTED BY MAKOR

DETAIL 2&3 SCHEMATIC

PLEASE NOTE PIPE WORK AND EQUIPMENT MAY BE SHOWN DISPLACED FOR CLARITY

DO NOT SCALE IF IN DOUBT ASK

REV	DATE	DESCRIPTION	INITIALS

DRAWING STATUS **PRELIMINARY ISSUE**

NEVILLE TUCKER
Rotterdam Road
Sutton Fields Industrial Estate
Hull HU7 0XD
Telephone (01482) 834900 (7 Lines)
Fax (01482) 879852
E-Mail info@nevilletucker.co.uk



CLIENT **HOWARTHS TIMBER**

PROJECT **ARBOR FOREST**

DRAWING TITLE **MECHANICAL SERVICES**

SCALE 1:200@A1 DATE 01.04.16 DR C.Foman CH R.Abbott

DRAWING NUMBER **C010089 / M / 1**