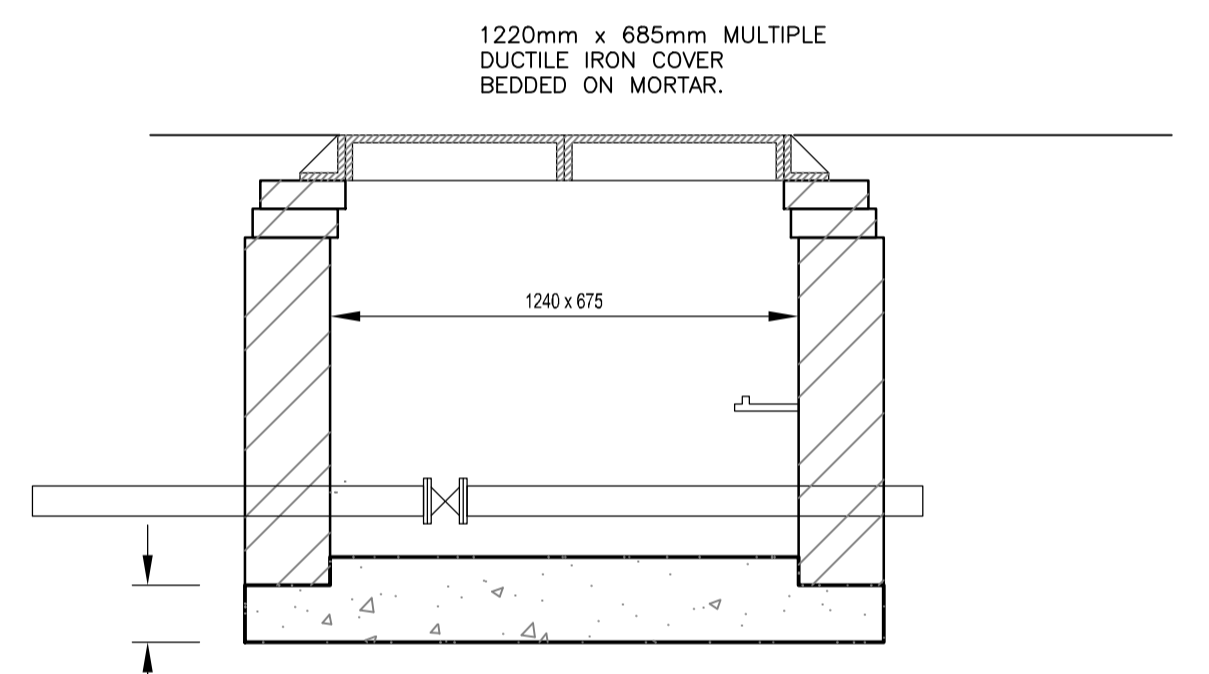
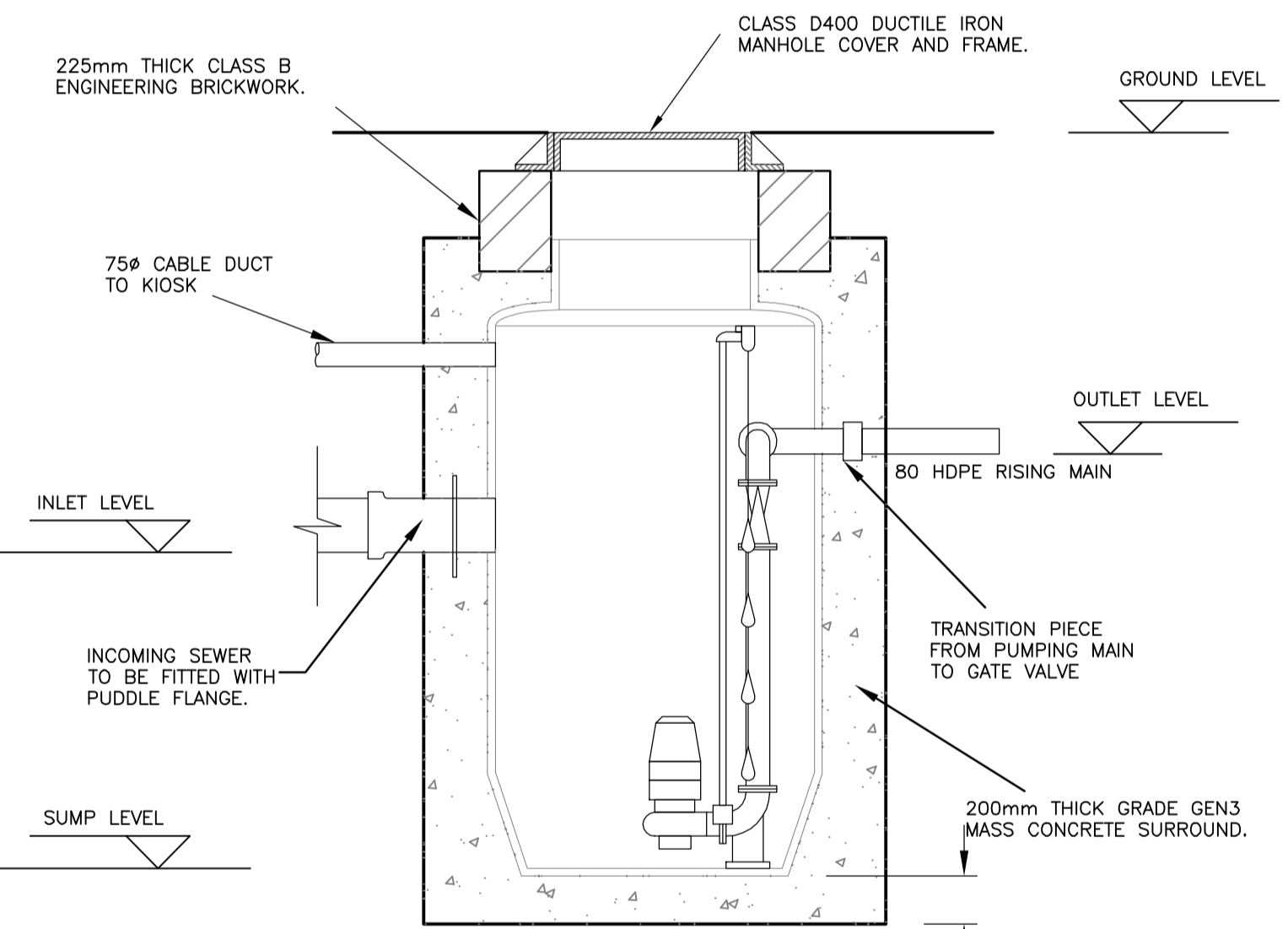
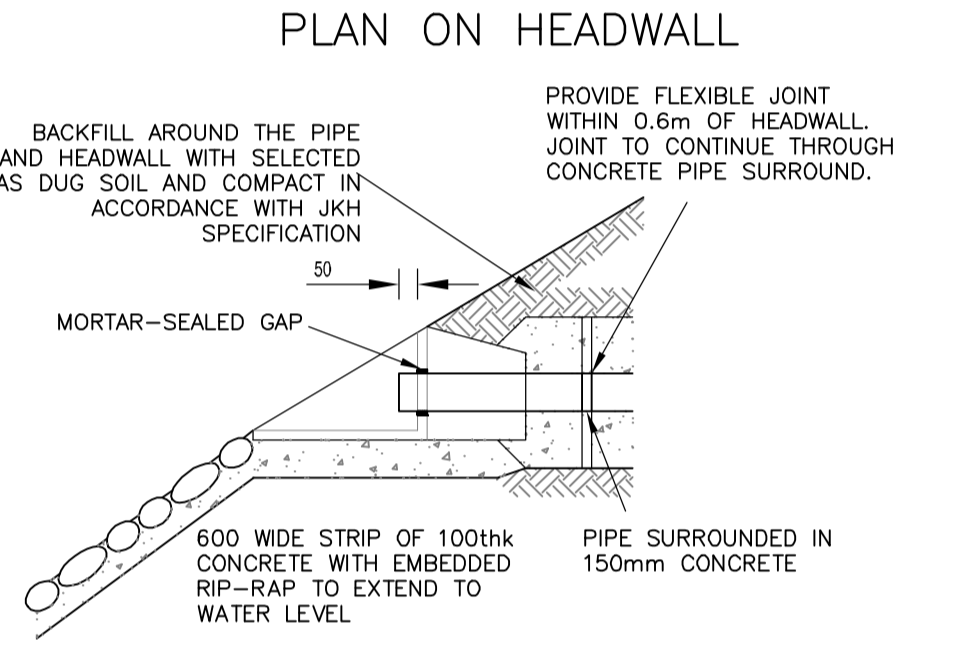
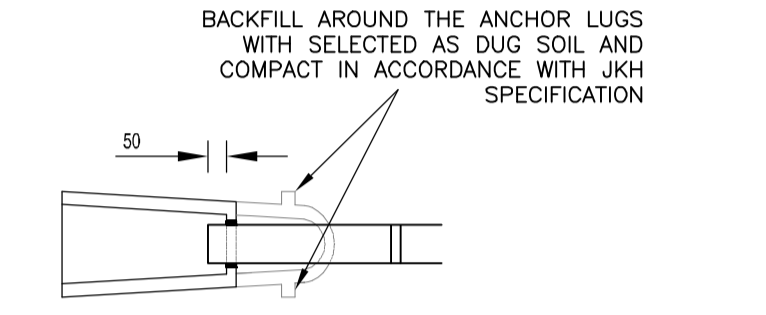
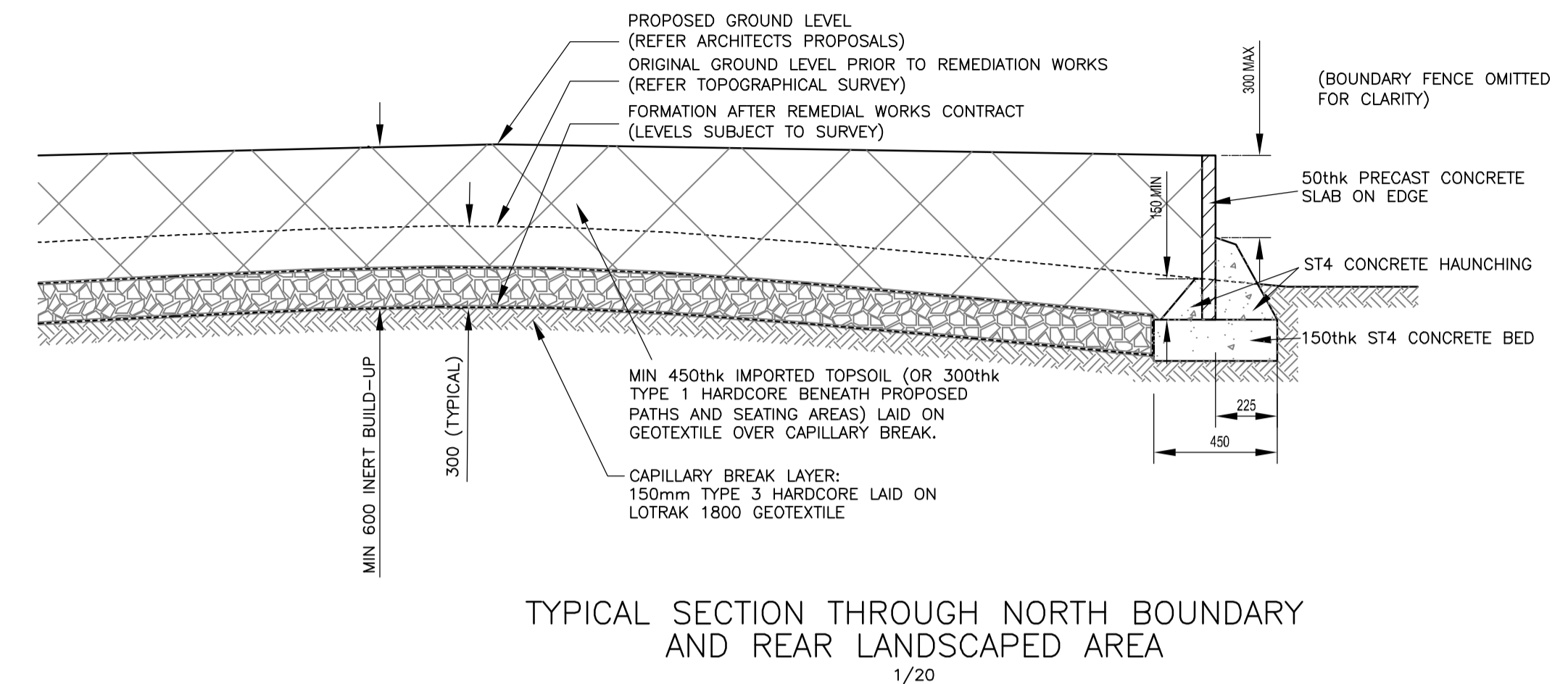
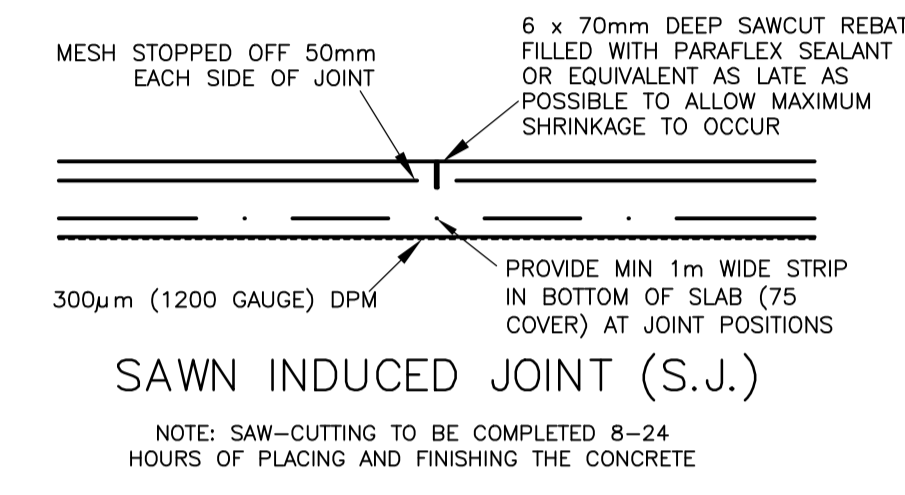
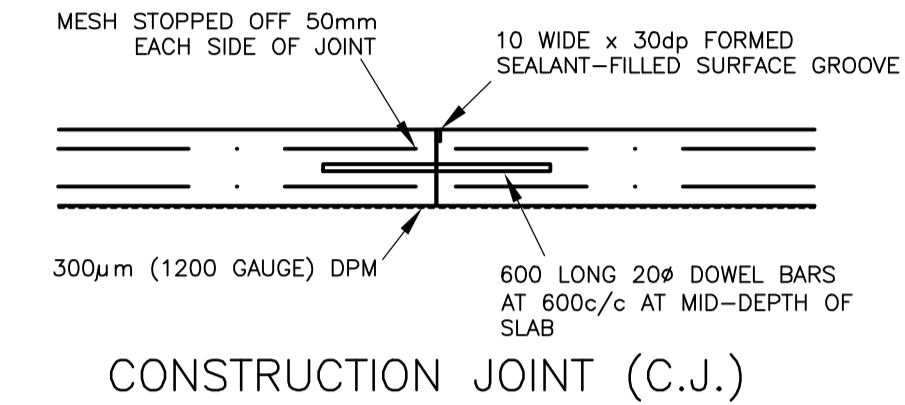
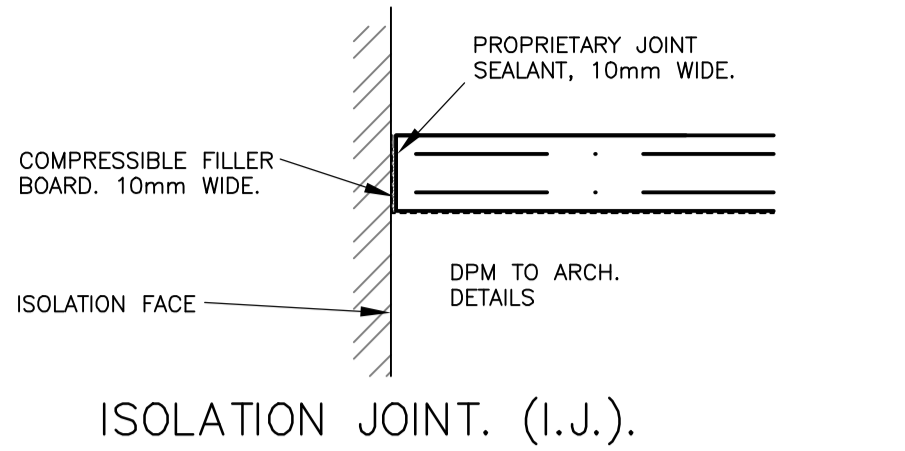
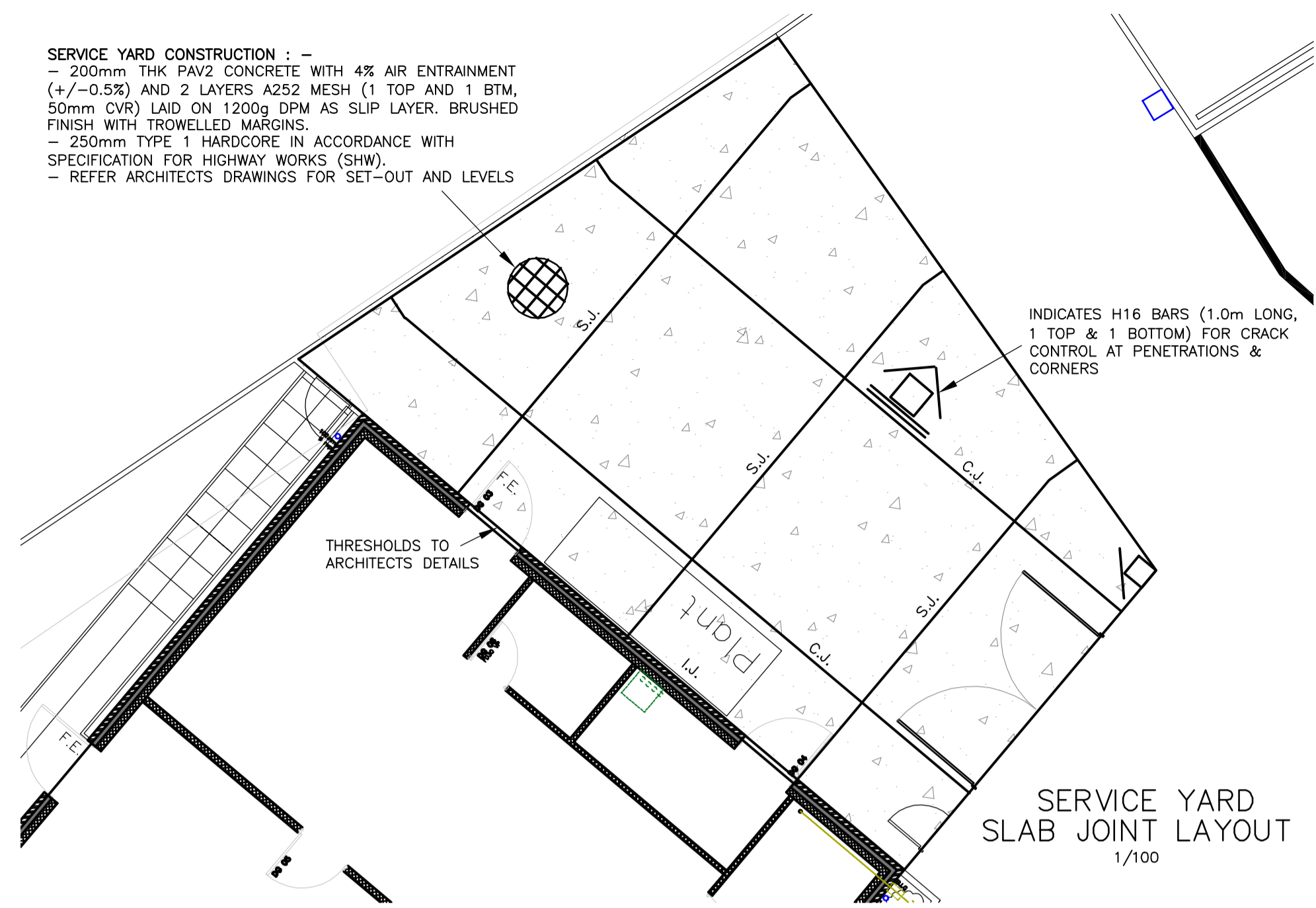
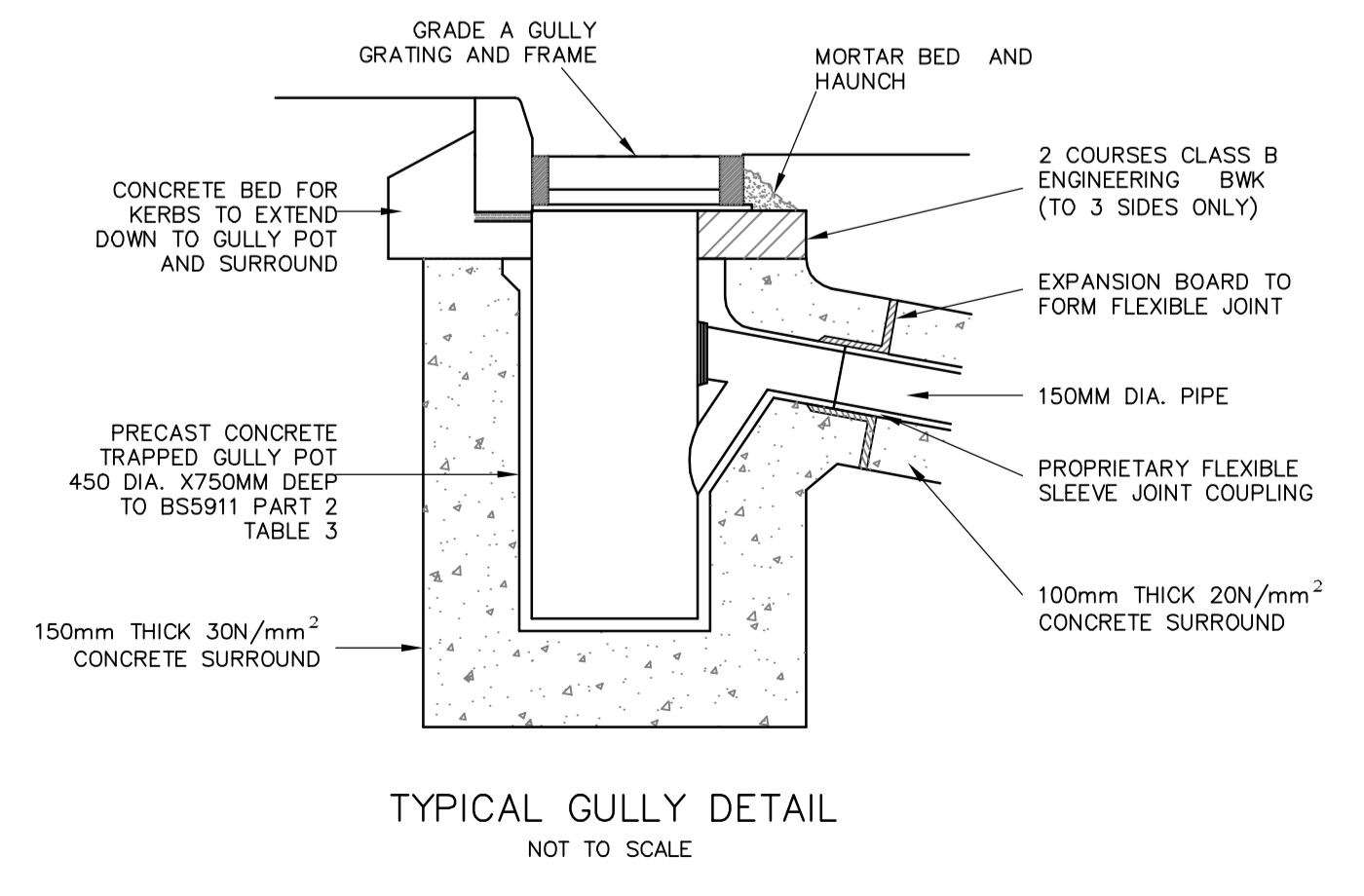
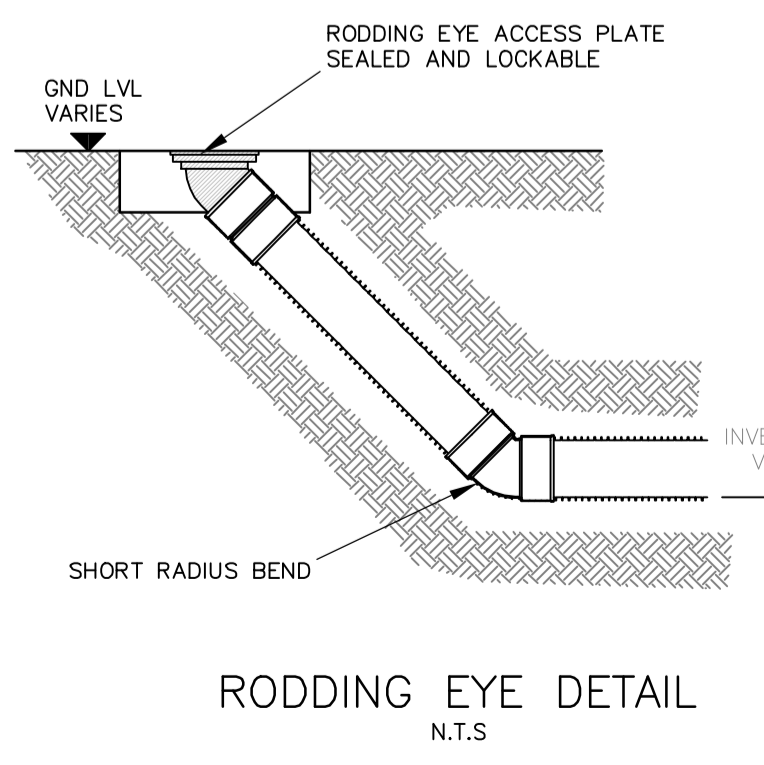
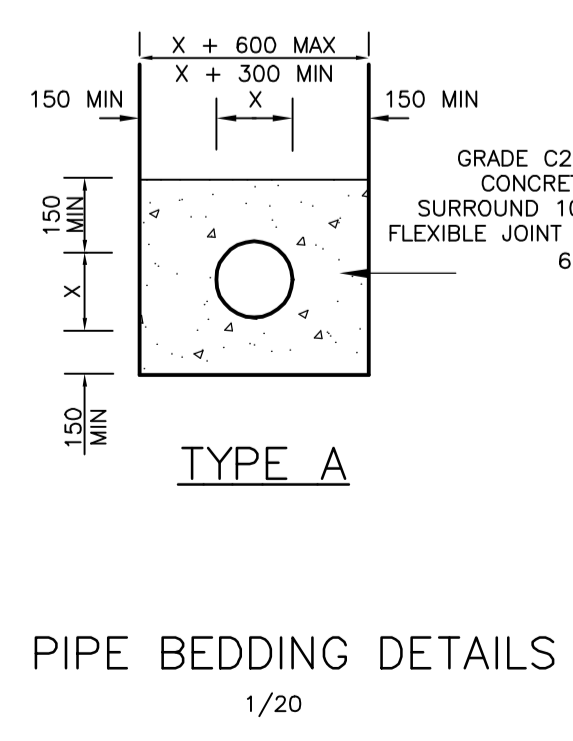
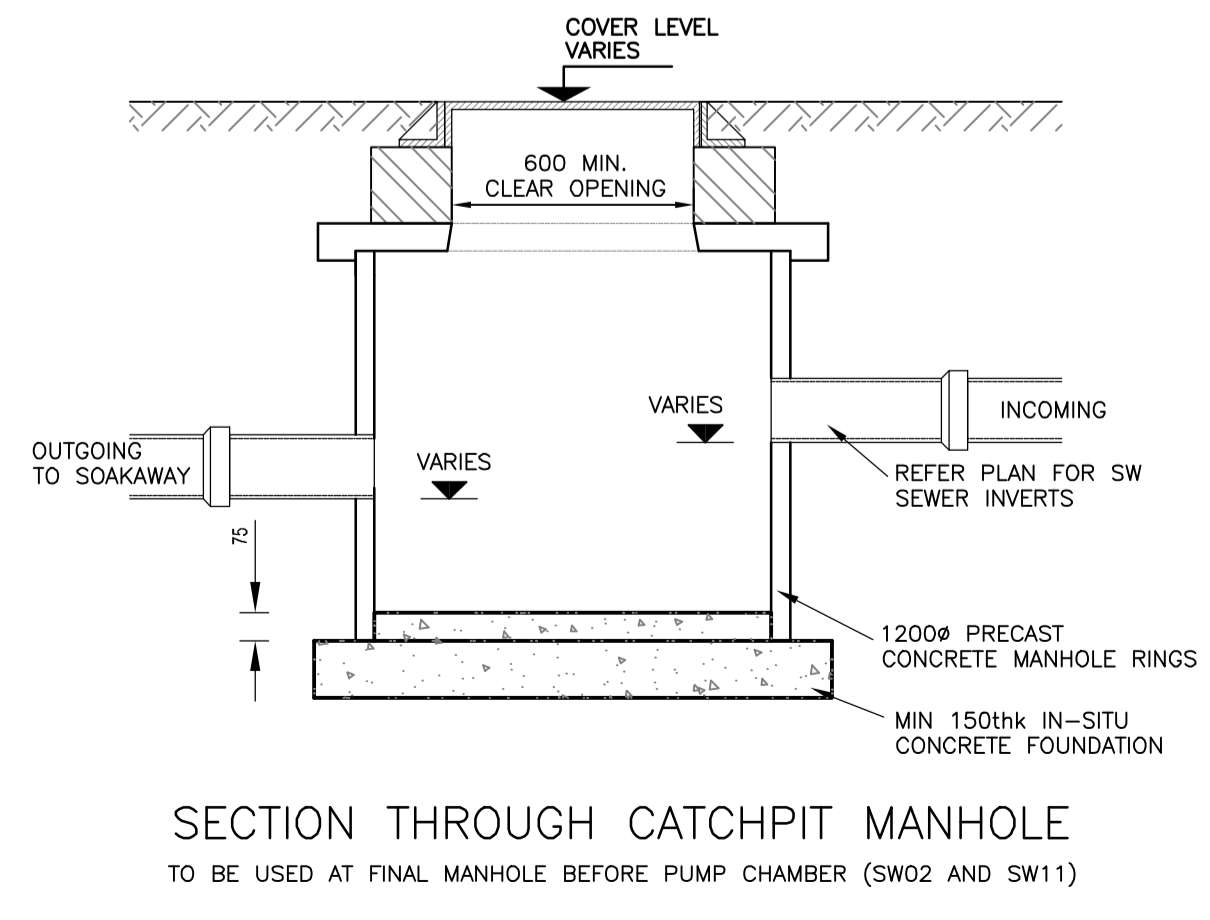
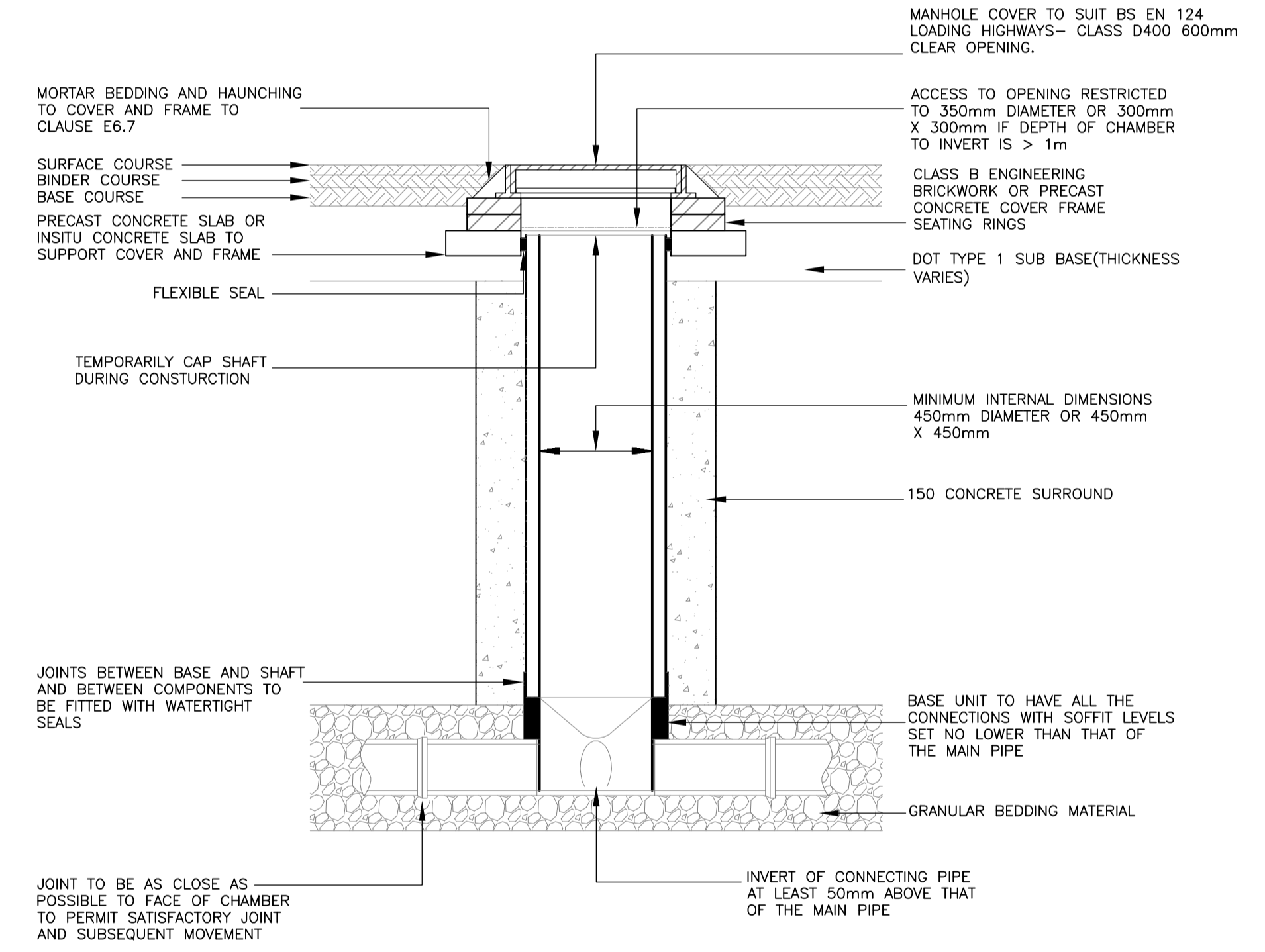


SERVICE YARD CONSTRUCTION : -
 - 200mm THK PAVZ CONCRETE WITH 4% AIR ENTRAINMENT (+/-0.5%) AND 2 LAYERS A252 MESH (1 TOP AND 1 BTM, 50mm CVR) LAID ON 1200g DPM AS SLIP LAYER. BRUSHED FINISH WITH TROWELLED MARGINS.
 - 250mm TYPE 1 HARDCORE IN ACCORDANCE WITH SPECIFICATION FOR HIGHWAY WORKS (SHW).
 - REFER ARCHITECTS' DRAWINGS FOR SET-OUT AND LEVELS



KIOSK TO BE FOUNDED ON 225mm THICK RC SLAB (SIZE TO SUIT KIOSK) CAST OVER MIN 200mm THICK TYPE 1 MATERIAL. TOB = 150mm ABOVE GROUND LEVEL. POSITION SUCH THAT DOORS OPEN AWAY FROM FOOTPATH

KIOSK



NOTES:
 1. THIS DRAWING IS TO BE READ IN CONJUNCTION WITH ALL OTHER RELEVANT ARCHITECTS AND ENGINEERS DRAWINGS AND SPECIFICATIONS.
 2. REFER YS DWG 6224/100 FOR ALL OTHER NOTES

B	UPDATED TO 40% CLIMATE CHANGE IN ACCORDANCE WITH LLFA COMMENTS.	HK	MS	10/21
A	CONTRACT ISSUE (AS TENDER ISSUE)	ZB	HK	10/21
Rev	Revision	Drn	App	Date

YORKSILLS
CONSULTING ENGINEERS LIMITED

YORK SILLS LTD, 5 CHECKPOINT COURT, LINCOLN. LN6 3PW
01522 690815 www.yorksills.co.uk

Client LCS Property Ltd

Project PROPOSED FOOD STORE BARNETBY LE WOLD

Title SERVICE YARD LAYOUT AND DRAINAGE DETAILS

Date	APR 20	Scales	⊙ A1 NOTED	Drawing No.	6224/101	Rev	B
Appr	RW						