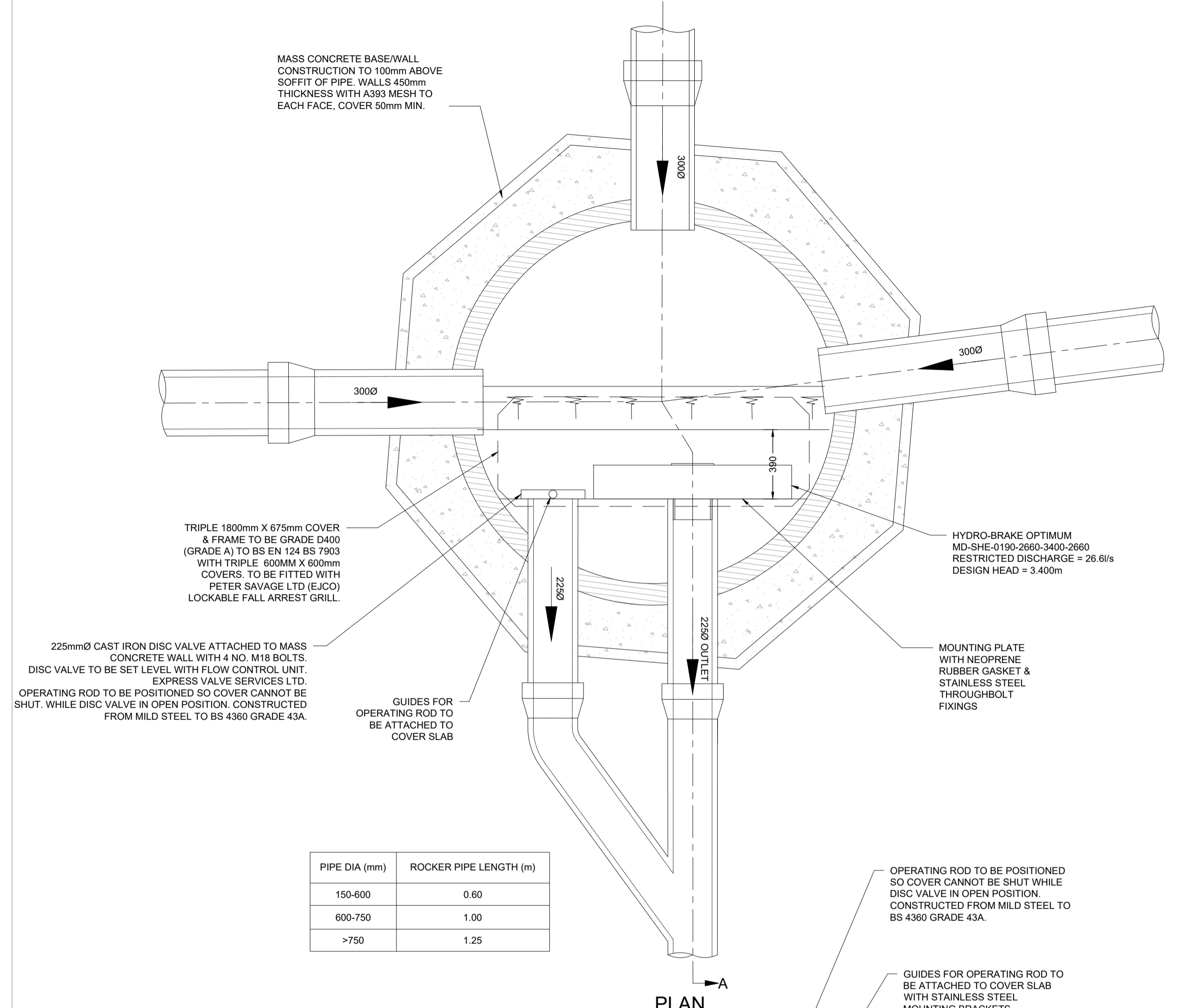
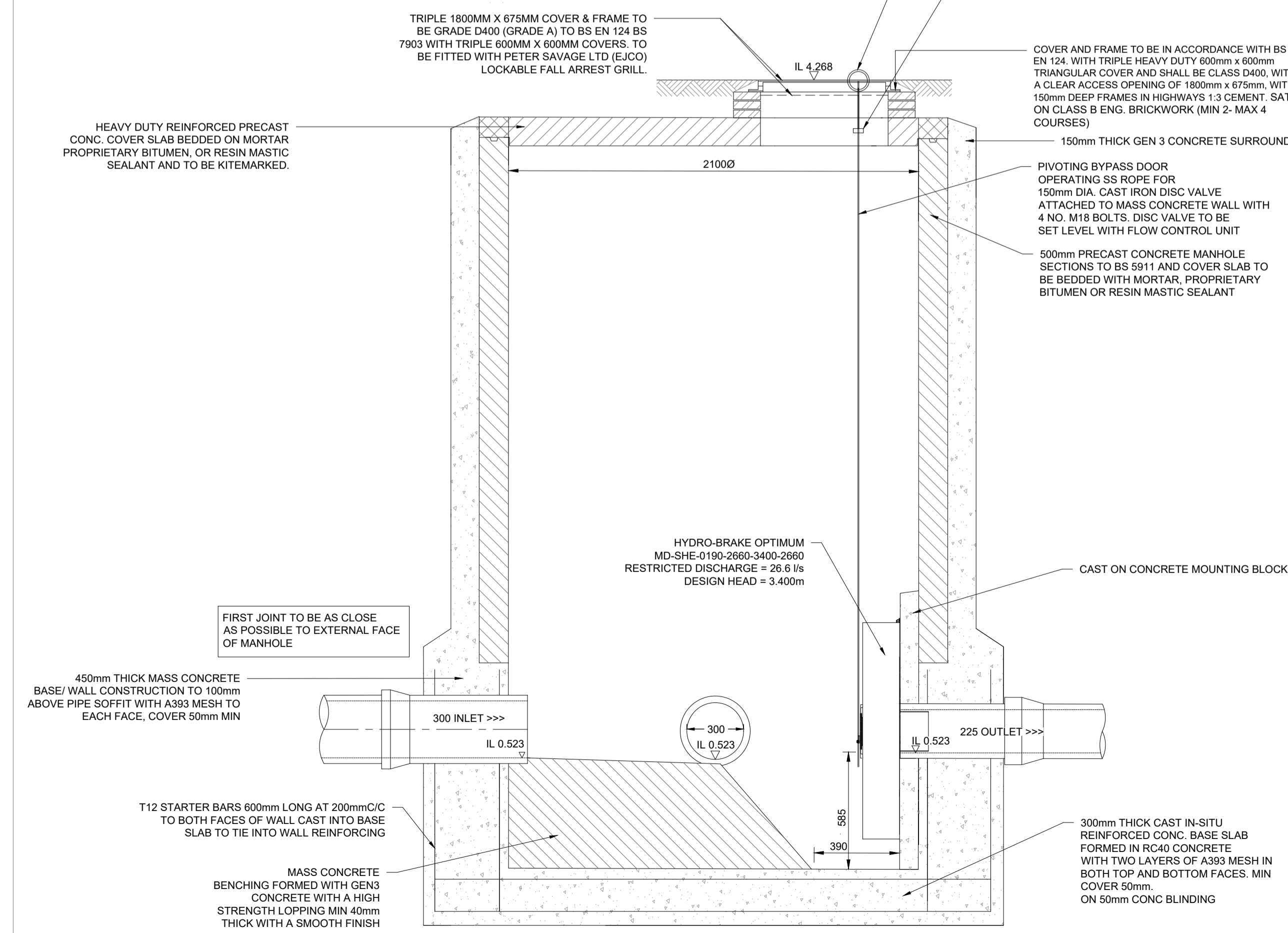


MANHOLE N5B/17 HYDROBRAKE (2100mm DIA)
CL. 4.268 IL. 0.523

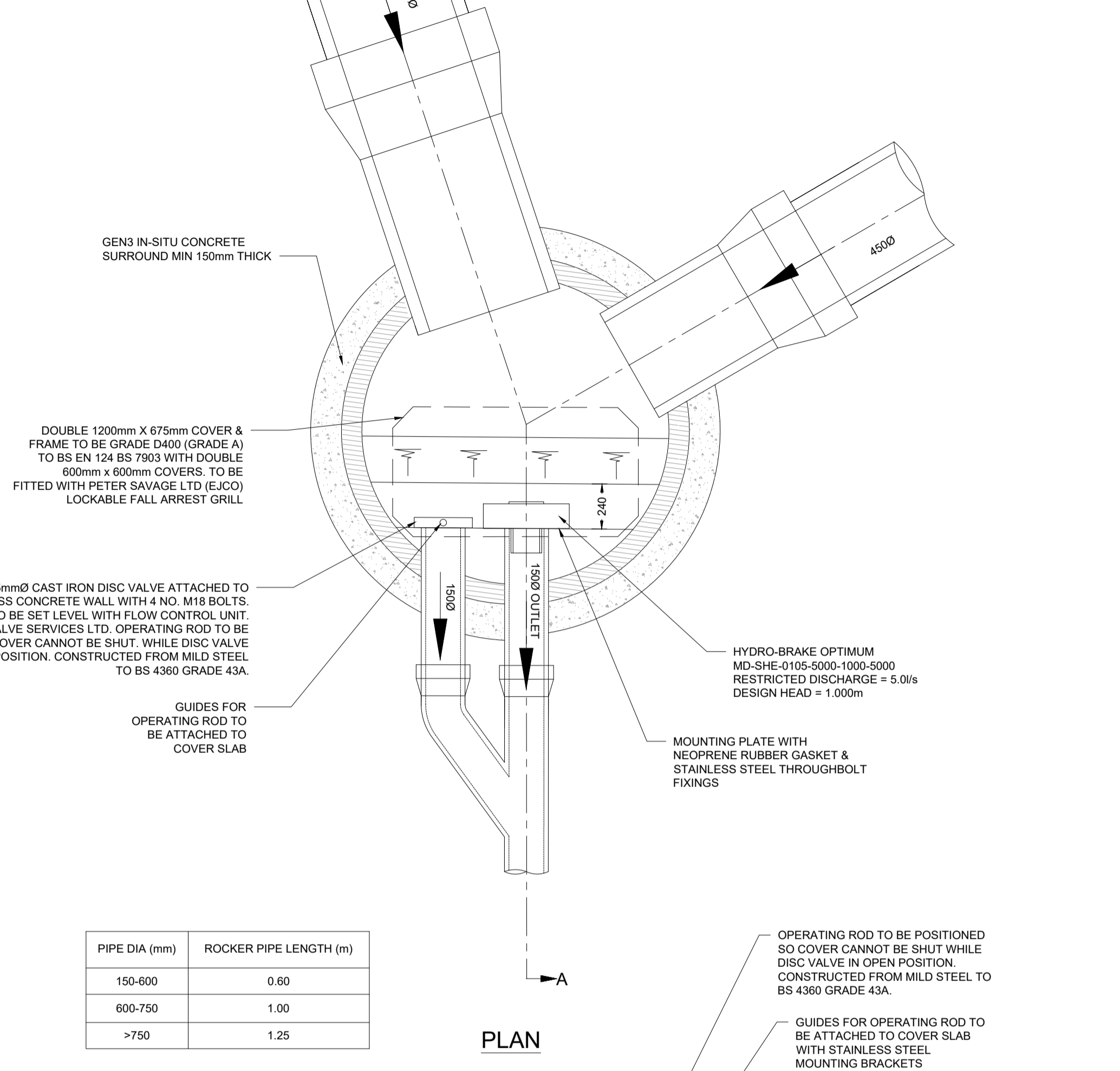


PIPE DIA (mm)	ROCKER PIPE LENGTH (m)
150-600	0.60
600-750	1.00
>750	1.25

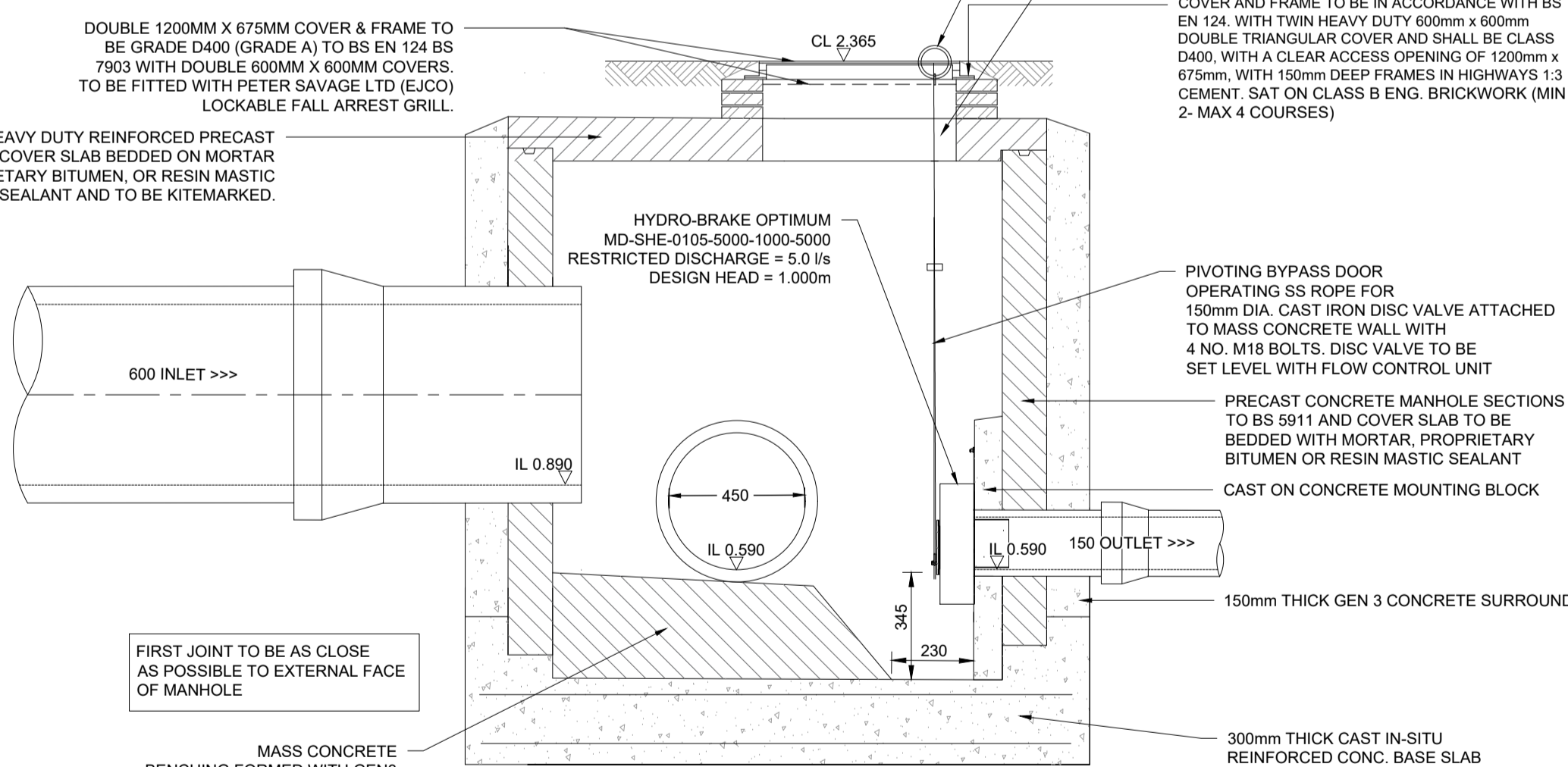


SECTION A-A

MANHOLE N4/99 HYDROBRAKE (1500mm DIA)
CL. 2.365 IL. 0.590



PIPE DIA (mm)	ROCKER PIPE LENGTH (m)
150-600	0.60
600-750	1.00
>750	1.25



SECTION A-A

THIS DRAWING TO BE READ IN CONJUNCTION WITH THE AWP DRAWINGS:

LLHI-AWP-01-05-DR-D-0001 to 0010	M181 JUNCTION-DRAINAGE LAYOUT
LLHI-AWP-01-05-DR-D-0011 to 0019	M181 JUNCTION-DRAINAGE PIPE SCHEDULES
LLHI-AWP-01-05-DR-D-0020 to 0029	M181 JUNCTION-DRAINAGE MANHOLE SCHEDULES
LLHI-AWP-01-05-DR-D-0030 to 0039	M181 JUNCTION-DRAINAGE DIVERSION OF EXISTING DITCHES LAYOUT AND STANDARD DETAILS
LLHI-AWP-01-05-DR-D-0040 to 0049	M181 JUNCTION-DRAINAGE ATTENUATION PONDS LAYOUT AND CONSTRUCTION DETAILS
LLHI-AWP-01-05-DR-D-0060 to 0069	M181 JUNCTION-DRAINAGE STANDARD DETAILS

DRAINAGE NOTES:

- D01. ALL ADOPTABLE SEWER WORKS AND MATERIAL TO BE IN ACCORDANCE WITH "SEWERS FOR ADOPTION" 6TH EDITION. THE RELEVANT BRITISH/EUROPEAN AND YORKSHIRE WATER'S STANDARDS/REQUIREMENTS/APPENDUMS AND KITEMARKED.
- D02. DRAINAGE SYSTEMS TO COMPLY WITH BS EN 476 AND BS EN 752.
- D03. ALL COMPONENTS USED IN DRAINAGE SYSTEMS TO COMPLY WITH THE FOLLOWING: BS EN 476:2011.
- D04. ALL DRAINAGE SYSTEMS AND COMPONENTS TO BE CONSTRUCTED AND TESTED TO THE FULL SATISFACTION OF THE RELEVANT ADOPTING AUTHORITY, AND IN ACCORDANCE WITH BS EN 1610.
- D05. "VC" DENOTES VITRIFIED CLAY. VITRIFIED CLAY PIPES AND FITTINGS TO COMPLY WITH THE RELEVANT PROVISIONS OF BS EN 295-1:2015, -2:2012, -3:2012 AND BS G5 RESPECTIVELY AND BE KITEMARKED. ALL PIPES SHALL BE EXTRA STRENGTH TO BS 85 OR EQUIVALENT TO BS EN 295 PIPE CRUSHING STRENGTH.
- D06. WHERE COVER TO PIPE IS LESS THAN 1.2m TO GROUND LEVEL, PIPE PROTECTION IS REQUIRED IN THE FORM OF A REINFORCED CONCRETE PROTECTION SLAB.
- D07. MANHOLE COVERS AND FRAMES SHALL COMPLY WITH THE RELEVANT PROVISIONS OF BS EN 124-2 TO 6:2015 AND BS 7903. MANHOLE COVERS AND FRAMES TO BE OF A NON-ROCKING DESIGN WITH CUSHION INSERTS AND KITEMARKED. LOAD CLASS D400 TO BE USED IN VEHICULAR TRAFFICKED AREAS. ALL COVERS TO BE BADGED "FW" OR "SW" AS APPROPRIATE. MANHOLE COVER SLABS AND ACCESS TO BE IN ACCORDANCE WITH CONCRETE PIPE ASSOCIATION TECHNICAL BULLETIN ISSUED SEPTEMBER 2001.
- D08. ROAD GULLY GRATES AND FRAMES SHALL COMPLY WITH THE RELEVANT PROVISIONS OF BS EN 124-1 TO 6:2015, BS EN 5911-6:2004 AND BS 7903. TO BE OF A NON-ROCKING DESIGN WITH LEFT HANDED CAPTIVE HINGE ACCESS AND BE KITEMARKED. LOAD CLASS D400 GRATES TO BE USED IN VEHICULAR TRAFFICKED AREAS, WITH A 450mm GRATE AND FRAME. MINIMUM AREA OF WATERWAY TO BE 900cm².
- D09. NO MECHANICAL COMPACTION OF FILL MATERIAL WITHIN 300mm OF THE CROWN OF ANY PIPE.
- D10. MORTAR TO COMPLY WITH THE RELEVANT PROVISIONS OF BS EN 998-2:2016 AND PD 6678:2005.
- D11. COVER AND FRAME BEDDING MORTAR TO COMPLY WITH THE DESIGN MANUAL FOR ROADS AND BRIDGES VOLUME 4, SECTION 2, PART 5 HA 104/09 CHAPTER 6, AND THE RELEVANT PROVISIONS OF THE MANUAL OF CONTRACT DOCUMENTS FOR HIGHWAYS WORKS VOLUMES 1 AND 2.

GENERAL NOTES:

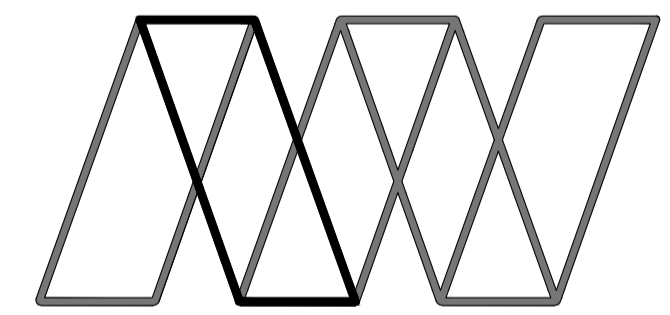
1. THE NOTES ARE INTENDED TO AUGMENT DRAWINGS AND SPECIFICATIONS. WHERE CONFLICT OF REQUIREMENTS EXIST THE ORDER OF PRECEDENCE SHALL BE AS SHOWN IN THE SPECIFICATION. OTHERWISE THE STRICTEST PROVISION SHALL GOVERN.
2. THE DRAWING IS TO BE READ IN CONJUNCTION WITH ALL OTHER RELEVANT ENGINEERS AND ARCHITECTS DRAWINGS.
3. DRAWINGS NOT TO BE SCALED. ALL DIMENSIONS TO BE CHECKED ON SITE BY CONTRACTOR. ANY DISCREPANCIES TO BE NOTIFIED TO THE ENGINEER AND FURTHER INSTRUCTIONS OBTAINED BEFORE WORK IS COMMENCED.
4. ALL LEVELS ARE IN METRES AOD (ABOVE ORDNANCE DATUM) UNLESS NOTED OTHERWISE.
5. ALL WORKS TO BE UNDERTAKEN IN COMPLIANCE WITH BS 8000 FOR WORKMANSHIP ON BUILDING SITES.
6. ABBREVIATIONS: MH = MANHOLE
CL = COVER LEVEL
IL = INVERT LEVEL
SW = SURFACE WATER
N1-10/S = SWALE
N1-10/MH = SURFACE WATER CHAMBERS
DS = SURFACE WATER DEMARCATION CHAMBER
CONC = CONCRETE
DWG = DRAWING
7. ALL EARTHWORKS SHALL BE UNDERTAKEN IN FULL COMPLIANCE WITH THE SPECIFICATION FOR HIGHWAYS WORKS MCW SERIES 600.
8. THE CONTRACTOR MUST ENSURE THAT THE WHOLE WORKS COMPLY BOTH WITH THE SPECIFICATION AND THE DRAWINGS WHICH ARE SUBJECT TO APPROVAL BY THE RELEVANT AUTHORITIES.
9. IF ANY DISCREPANCIES EXIST BETWEEN THE SPECIFICATION AND THE DRAWINGS, THE ENGINEER SHALL BE NOTIFIED IMMEDIATELY.
10. THE CONTRACTOR SHALL NOTIFY THE APPROPRIATE AUTHORITY PRIOR TO COMMENCEMENT OF EACH STAGE OF THE WORK FOR THEIR REPRESENTATIVE TO CARRY OUT INSPECTION TO ENSURE COMPLIANCE WITH THEIR SPECIFICATION AND APPROVED DETAILS. IF ANY SUCH REQUESTS OR INSTRUCTIONS CAUSE CONFLICT WITH THE SPECIFICATION THE CONTRACTOR SHALL IMMEDIATELY NOTIFY THE ENGINEER.

CONCRETE NOTES:

- DESIGNED CONCRETE:**
1. ALL DESIGNATED CONCRETE TO CONFORM TO BS 8500-2 STRUCTURAL CONCRETE.
 2.
 - COMPRESSIVE STRENGTH CLASS - C45/55
 - MAXIMUM WATER CEMENT RATIO - 0.35
 - MINIMUM CEMENT CONTENT - 380 Kg/m³
 - CEMENT COMBINATION TYPE - SRPC
 - MAXIMUM AGGREGATE SIZE - 20mm
 - CONSISTENCY CLASS - TO BE AGREED ON SITE
 - COVER TO CONCRETE - 55mm (MINIMUM)
- DESIGNATED CONCRETE:**
3. ALL DESIGNATED CONCRETE TO CONFORM TO BS 8500-2
 4. BLINDING CONCRETE:
 - DESIGNATION - GEN 3
 - CEMENT TYPE - SRPC
 - MAXIMUM AGGREGATE SIZE - 20mm
 - CONSISTENCY CLASS - TO BE AGREED ON SITE

- PRECAST CONCRETE**
5. PRECAST CONCRETE MANHOLES TO BE IN ACCORDANCE WITH BS 5911 PART 200. PRECAST CONCRETE RINGS AND COVER SLABS TO BE JOINTED WITH CEMENT MORTAR.
 6. ALL CONCRETE PIPES TO BE CLASS 120 TO BS EN 1916/BS 5911-1:2002.
 7. ALL CONCRETE MANHOLES TO BE IN ACCORDANCE WITH BS 1917/BS EN 5911-3:2010.
 8. IN-SITU AND PRECAST CONCRETE UNITS SHALL HAVE SULPHATE RESISTING PORTLAND CEMENT TO BS 4027, UNLESS AGREED OTHERWISE WITH THE ADOPTING AUTHORITY.
 9. NOMINAL COVER TO ALL REINFORCEMENT TO BE 50mm (UNLESS NOTED OTHERWISE).
 10. ALL HIGH YIELD REINFORCEMENT (H BARS) TO BE GRADE 500.
 11. BOTTOM STEEL REINFORCEMENT TO BE SUPPORTED ON 50x50x50mm DEEP CONCRETE BLOCKS OR SIMILAR, WIRED TO THE REINFORCEMENT.
 12. TYING WIRE TO BE STAINLESS STEEL.
 13. SPACING OF REINFORCEMENT TO BE ADJUSTED LOCALLY AS REQUIRED IN PARTICULAR TO AVOID HOLES, POCKETS, SOCKETS, RECESSES AND HOLDING DOWN BOLTS.
 14. ALL EXPOSED EDGES TO HAVE 20x20mm CHAMFER.
 15. IMMEDIATELY AFTER LAYING, CONCRETE SHALL BE PROTECTED FROM RAIN, RAPID TEMPERATURE CHANGE, FROST AND FROM DRYING OUT. ALSO MAINTAIN THE CONCRETE ABOVE 2° IN COLD WEATHER. THE METHODS USED SHALL BE IN ACCORDANCE WITH BS 5400, OR APPROVED BY THE ENGINEER.

T2	AMENDED HYDRO-BRAKE MH N4/99	15.01.21	KA	JP	JG
T1 <td>FIRST ISSUE</td> <td>02.10.20</td> <td>JH</td> <td>SG</td> <td>JG</td>	FIRST ISSUE	02.10.20	JH	SG	JG
Rev	Description	Date	By	Chk	App



Alan Wood & Partners

<p>York Office Omega 2 Monks Cross Drive York YO32 9GZ</p> <p>T. 01904 611594 www.alanwood.co.uk</p>	<p>Consulting Civil & Structural Engineers Project Managers Building Surveyors</p> <p>Hull Lincoln London Scarborough Sheffield Leeds</p> <p>T. 01482 442138 T. 01522 300210 T. 02071 860761 T. 01723 865484 T. 01142 440077 T. 01135 311098</p>
---------------------------------------------------------------------------------------------------------------------------------	----------------------------------------------------------------------------------------------------------------------------------------------------------------------------------------------------------------------------------------------------------------------------------------------------------

Project: **LINCOLNSHIRE LAKES, SCUNTHORPE M181/B1450 HIGHWAY WORKS**

Client:

Drawing: **PROPOSED HYDROBRAKE MH DETAILS SHEET 3**

Role: **CIVIL ENGINEER**

Drawing Status: **TENDER**

Job. no. **43972** Scale@ A1: **1:20** Rev. **T2**

Project Originator Volume Level Type Role Number
LLHI - AWP - 01 - 05 - DR - D - 0052