

WALLPOD:EV *SUPERFAST*

FREE-TO-USE

Type 2, Mode 3 Charging Socket
11kW Or 22kW

EVonestop

Simple, Affordable, Easy EV

MANUFACTURED IN THE UK



Unit shown: WALLPOD:EV *SUPERFAST*
Socket (Type 2) Charging Unit

The WALLPOD:EV *SUPERFAST* is a low-cost, Superfast charging unit, designed to offer full Mode 3 charging to every Electric Vehicle (EV/PHEV) on the market today, with the facility to charge at 3 phase (11kW/22kW).

This charging unit has been specifically designed for domestic and commercial locations including offices, factories, restaurants, hotels, sports venues, etc.

PRODUCT FEATURES

- IEC 61851-1 Mode 3 fast charging
- IEC 62196 (Type 2) 3 phase charging socket c/w security hatchlock
- Charging speeds - 11kW (16A) & 22kW (32A)
- Built-in 100A 3Pole 3MOD Isolator
- Built-in LED charging status indicator
- OLEV Grant Fundable under the Electric Vehicle Homecharge Scheme
- Certificated by the BSI as safe to use in the domestic environment
- Easy to install and maintain
- IP65 Weatherproof & UV stabilised
- Corrosion resistant, fire retardant & impact resistant design
- CE certified



Super Fast
3 Phase Charging



Grant
Fundable



Safety in the
Home Certified



Colour Options
Available



IP65
Weather Proof

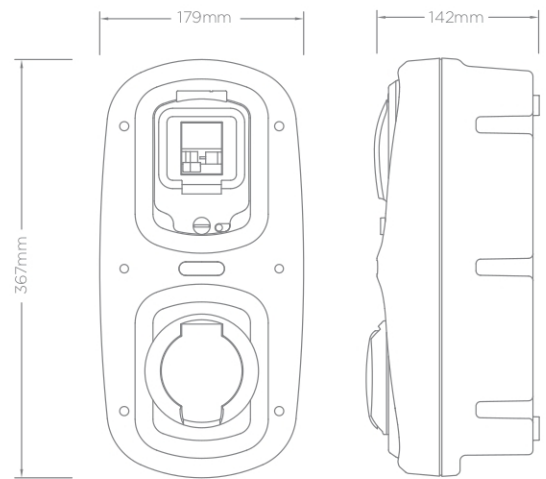


Flame
Retardant

SPECIFICATIONS

PHYSICAL

Dimensions	179mm x 367mm x 142mm (W x H x D)
Standard Base Colour	Warm White (Other colours available upon request)
Standard Pod Colour	Grey (Other colours available upon request)
Unit Material	Polycarbonate (303 EP-22)
Operating Temperature	-30°C to +50°C
Certifications & Compliances	BSI Certified - BS EN 60335-1 Wiring Regulations - BS 7671 (18th Edition) IET EV Regulations, Glow Wire Testing - IEC 60695-2-13 EMC Compliance - EN 61000-6-3:2007, EN 61000-6-2:2005 Safety Compliance - EN 60950-1:2006, EN 60950-22:2006, Low Voltage Directive (LVD) 2014/35/EU Environmental Protection - IP65 (Category 1) Weatherproof BS EN 60529, UL94 Flame Rating at V2 for 1.5mm and 3.0mm



ELECTRICAL

Product Code	EVWP2036	EVWP2046
Charging Socket	IEC 62196 (Type 2)	
Rated Output	11kW	22kW
Rated Current	16A	32A
Charge Protocol	Mode 3	
EV Charging Compliance	EN 61851-1:2001, EN 61851-21:2002, EN 61851-22:2002	
Input Voltage	400V AC/50Hz (3 Phase)	
Isolation Switch	Built-in 100A 3P 3MOD Isolator & 6mA DC Sensitive Device	
Incoming Cable Terminals	1 x 16mm neutral and 1 x 16mm earth	



OPTIONS & ACCESSORIES

- Key switch control charging
- Lockable door to switchgear
- Corporate branding (colours, logo badge, etc.)
- Charge point signage
- 3 phase EV charging cables (Type 2 to Type 2)



Images are for marketing purposes only and are not contractual © 2018

evonestop contact:
01205 725 867
sales@evonestop.co.uk

evonestop
Ralphs Lane, Frampton West
Boston, Lincolnshire
UK. PE20 1QU

www.evonestop.co.uk