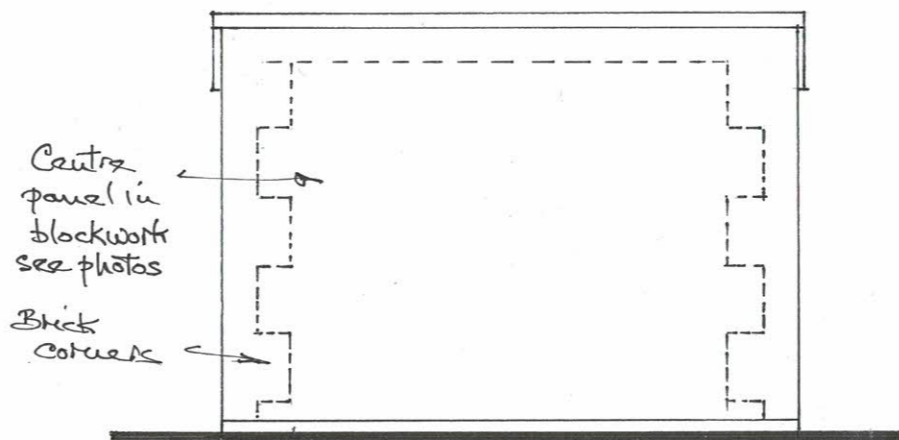
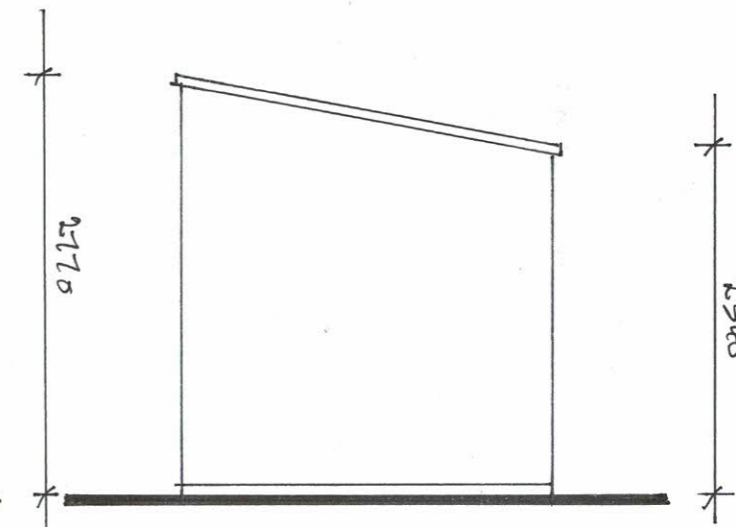


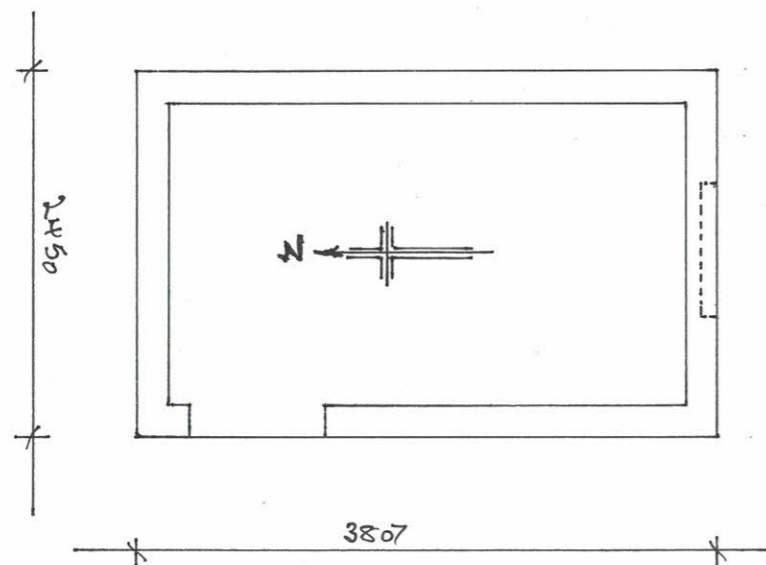
EX. WEST ELEVATION



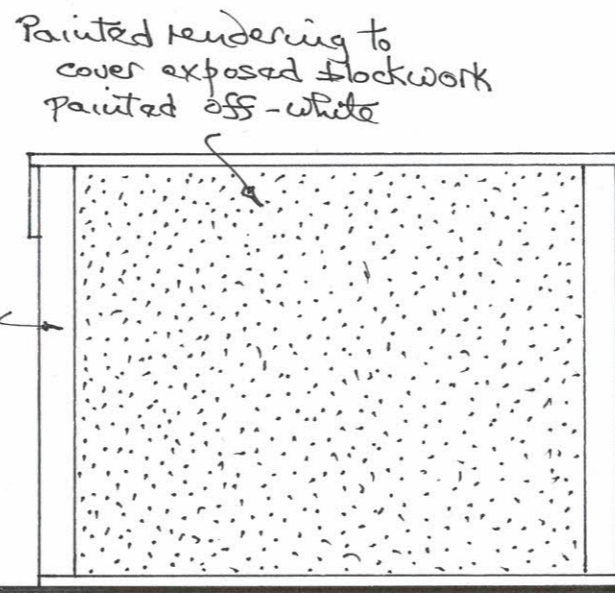
EX. EAST ELEVATION.



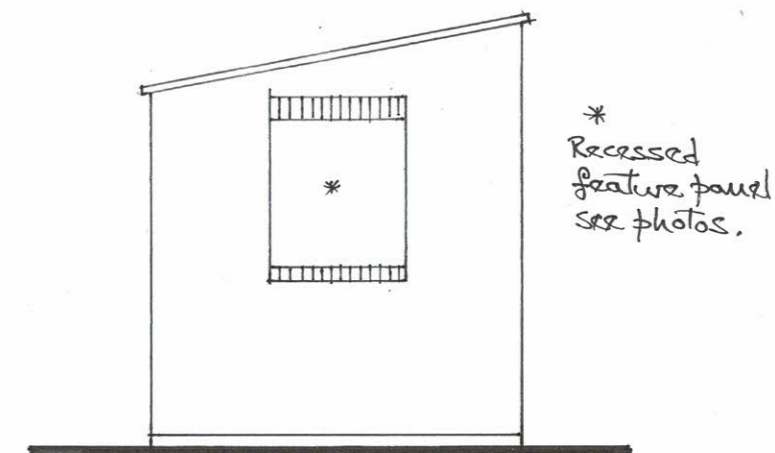
EX. NORTH ELEVATION.



EX. FLOOR PLAN



PROPOSED EAST ELEVATION.



EX. SOUTH ELEVATION

Ms. T. QUIBELL  
42 CLIFF ROAD  
WINTERINGHAM  
SCUNTHORPE DN15 9NQ

RETENTION OF  
EXISTING OUTBUILDING

DRAWN BY:  
JEM MANAGEMENT SERVICES  
45 OSWALD ROAD  
SCUNTHORPE 01764 922416

DATE: OCTOBER 2024

SCALE: 1/50 @ A3

DRG. NO. TQ/24/03

REV.