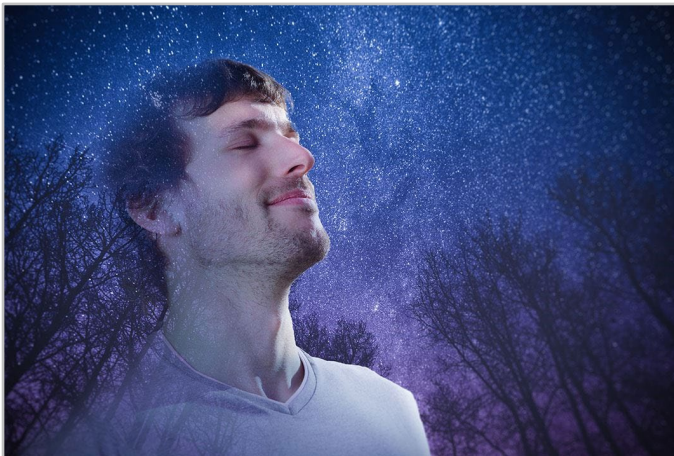
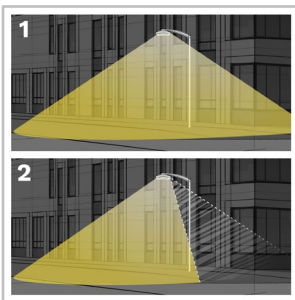


With the PureNight concept, Schröder offers the ultimate solution for restoring the night sky without switching off cities, while maintaining safety and well-being for people and preserving wildlife. The PureNight concept guarantees that your Schröder lighting solution satisfies environmental laws and requirements. Well-designed LED lighting has the potential to improve the environment in all respects.



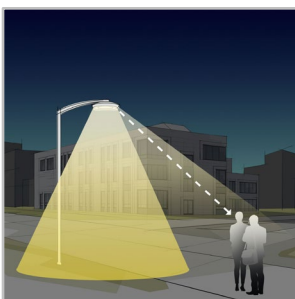
Direct the light only where it is wanted and needed



1. Without backlight
2. With backlight

Schröder is renowned for its expertise in photometry. Our optics direct light only where it is wanted and needed. However, light trespass behind the luminaire might be a key concern when it comes to protecting a sensitive wildlife habitat or avoiding intrusive lighting towards buildings. Our fully integrated backlight solutions easily address this potential risk.

Offer maximum visual comfort to people



Because of the lower installation height compared to road lighting, visual comfort is an essential aspect of urban lighting. Schröder designs lenses and accessories to minimise any type of glare (distracting, discomforting, disabling glare and blinding glare). Our design offices harness a range of possibilities to find the best solutions for each project and ensure that we provide a gentle light that delivers the best night-time experience.

Protect wildlife



If not well designed, artificial lighting can badly affect wildlife. Blue light and excessive intensity can have a damaging effect on all types of life. Blue light radiation has the ability to suppress the production of melatonin, the hormone that contributes to the regulation of the circadian rhythm. It can also alter the behavioural patterns of animals including bats and moths, as it can change their movements towards or away from light sources. Schröder favours warm white LEDs with minimal blue light, combined with advanced control systems including sensors. This enables permanent adaptation of the lighting to the real needs of the moment, minimising disturbance to the fauna and flora.

Choose a Dark Sky certified luminaire



The International Dark-Sky Association (IDA) is the recognised authority on light pollution. It provides leadership, tools and resources to industries and companies willing to reduce light pollution. The IDA's Fixture Seal of Approval programme certifies outdoor lighting fixtures as being Dark Sky Friendly. All products approved by this programme must comply with the following criteria:

- The light sources shall have a maximum correlated colour temperature of 3000K;
- Uplight allowance limited to 0.5% of total output, or 50 lumens, with no more than 10 lumens in the 90-100 degree UL zone;
- The luminaires must have a dimming capability to 10% of full rating;
- The luminaires must be equipped with a fixed mounting option;
- The luminaires must have Safety Certification by an independent laboratory.

This approved Schröder range of luminaires complies with these requirements.

GENERAL INFORMATION

Recommended installation height	4m to 12m 13' to 39'
Driver included	Yes
CE mark	Yes
ENEC certified	Yes
ENEC+ certified	Yes
ROHS compliant	Yes
Dark Sky friendly lighting (IDA certification)	Yes
Zhaga-D4i certified	Yes
Testing standard	LM 79-08 (all measurements in ISO17025 accredited laboratory)

HOUSING AND FINISH

Housing	Aluminium Composite materials
Optic	Polycarbonate
Protector	Polycarbonate (with integrated lenses)
Housing finish	Polyester powder coating
Standard colour(s)	RAL 7040 window grey RAL 9005 Jet black
Tightness level	IP 66
Impact resistance	IK 10
Vibration test	Compliant with modified IEC 68-2-6 (0.5G)

OPERATING CONDITIONS

Operating temperature range (Ta)	-30°C up to +45°C / -22°F up to 113°F
----------------------------------	---------------------------------------

· Depending on the luminaire configuration. For more details, please contact us.

ELECTRICAL INFORMATION

Electrical class	Class I EU, Class II EU
Nominal voltage	220-240V – 50-60Hz
Power factor (at full load)	0.9
Surge protection options (kV)	10
Electromagnetic compatibility (EMC)	EN 55015 / EN 61000-3-2 / EN 61000-4-5 / EN 61547
Control protocol(s)	1-10V, DALI
Control options	Bi-power, Custom dimming profile, Photocell, Remote management
Socket	Zhaga (optional) NEMA 3-pin (optional) NEMA 6-pin (optional) NEMA 7-pin (optional)
Associated control system(s)	Schröder EXEDRA
Sensor	PIR (optional)

OPTICAL INFORMATION

LED colour temperature	2700K (Warm White WW 727) 3000K (Warm White WW 730) 4000K (Neutral White NW 740)
Colour rendering index (CRI)	>70 (Warm White WW 727) >70 (Warm White WW 730) >70 (Neutral White NW 740)
ULOR	0%
ULR	0%

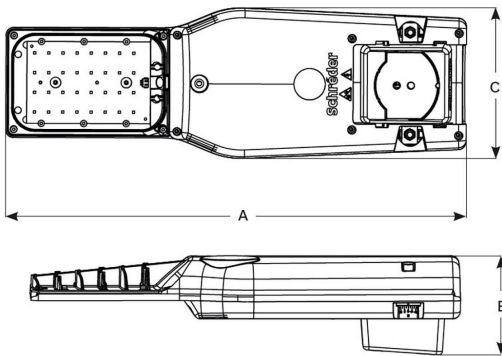
- Meets IDA Dark Sky requirements when fitted with LEDs of 3000K or less.
- ULOR may be different according to the configuration. Please consult us.
- ULR may be different according to the configuration. Please consult us.

LIFETIME OF THE LEDS @ TQ 25°C

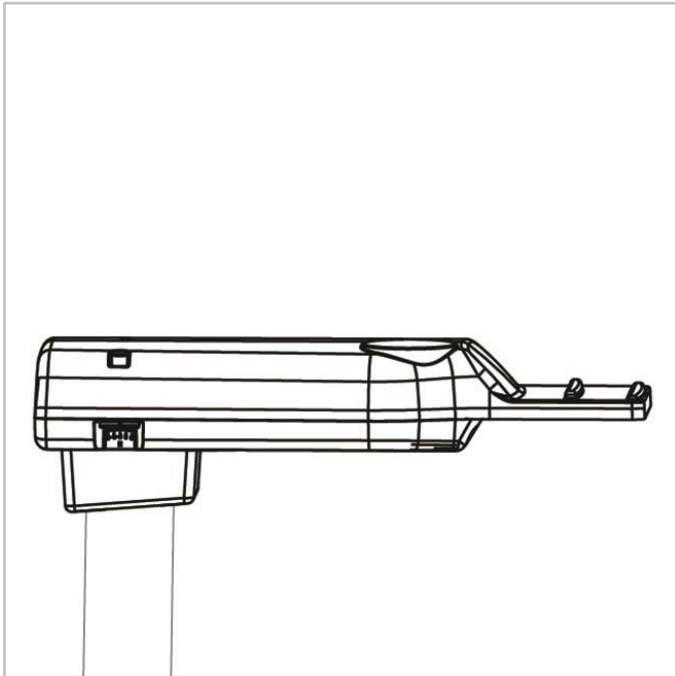
All configurations	100,000h - L90
--------------------	----------------

DIMENSIONS AND MOUNTING

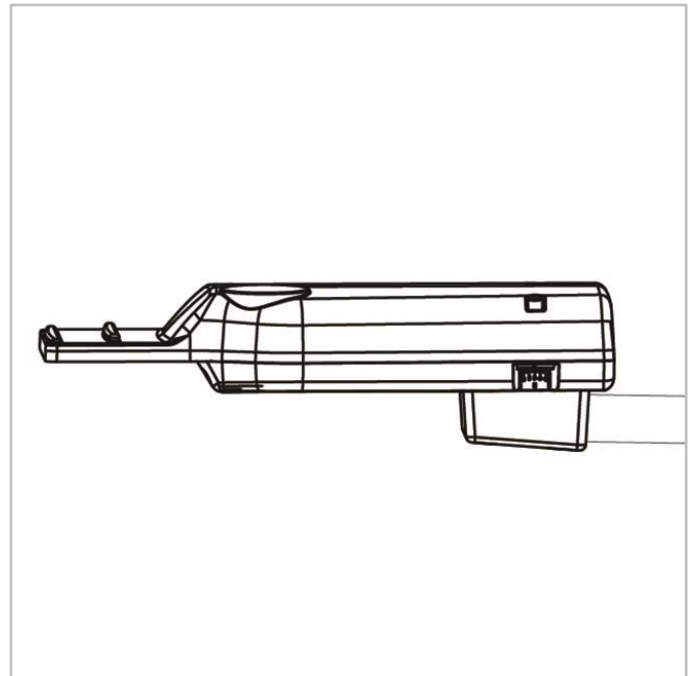
AxBxC (mm inch)	AXIA 3.1 : 513x130x191 20.2x5.1x7.5 AXIA 3.2 : 585x130x191 23.0x5.1x7.5 AXIA 3.3 : 550x130x277 21.7x5.1x10.9
Weight (kg lbs)	AXIA 3.1 : 3.6 7.9 AXIA 3.2 : 4.8 10.6 AXIA 3.3 : 6.0 13.2
Aerodynamic resistance (CxS)	AXIA 3.1 : 0.03 AXIA 3.2 : 0.03 AXIA 3.3 : 0.04
Mounting possibilities	Side-entry slip-over – Ø32mm Side-entry slip-over – Ø42mm Side-entry slip-over – Ø48mm Side-entry slip-over – Ø60mm Post-top slip-over – Ø60mm Post-top slip-over – Ø76mm

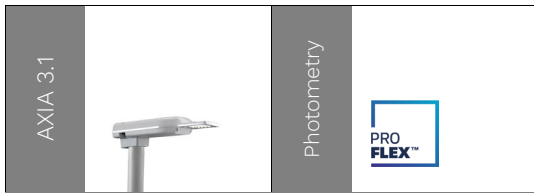


AXIA 3 | Post-top - Slip-over mounting for
Ø60 or Ø76mm spigot - 2xM10 screws



AXIA 3 | Side-entry - Slip-over mounting for
Ø32 (with accessory) or Ø42-60mm spigot -
2xM10 screws





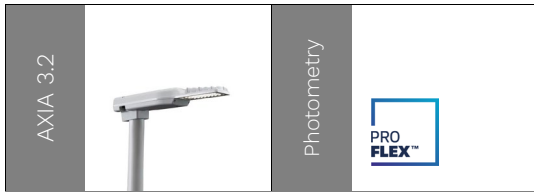
Number of LEDs	Luminaire output flux (lm)						Power consumption (W)		Luminaire efficacy (lm/W)
	Warm White WW 727		Warm White WW 730		Neutral White NW 740		Min	Max	Up to
	Min	Max	Min	Max	Min	Max			
8	600	2500	700	2600	800	3000	8	23	152
16	900	5100	900	5400	1100	6100	11	44	159

Tolerance on LED flux is ± 7% and on total luminaire power ± 5 %



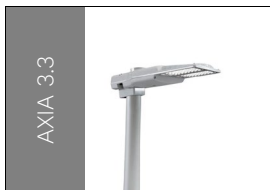
Number of LEDs	Luminaire output flux (lm)						Power consumption (W)		Luminaire efficacy (lm/W)
	Warm White WW 727		Warm White WW 730		Neutral White NW 740		Min	Max	Up to
	Min	Max	Min	Max	Min	Max			
24	2000	8400	2100	8800	2400	9900	16	76	161
32	2700	9500	2800	9900	3200	11300	20	78	166

Tolerance on LED flux is ± 7% and on total luminaire power ± 5 %



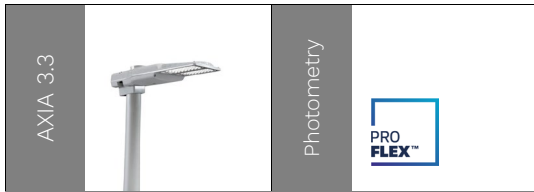
Number of LEDs	Luminaire output flux (lm)						Power consumption (W)		Luminaire efficacy (lm/W)
	Warm White WW 727		Warm White WW 730		Neutral White NW 740		Min	Max	
	Min	Max	Min	Max	Min	Max			Min
24	2000	8400	2100	8800	2400	9900	16	76	Up to 161
32	2700	9500	2800	9900	3200	11300	20	78	166

Tolerance on LED flux is ± 7% and on total luminaire power ± 5 %



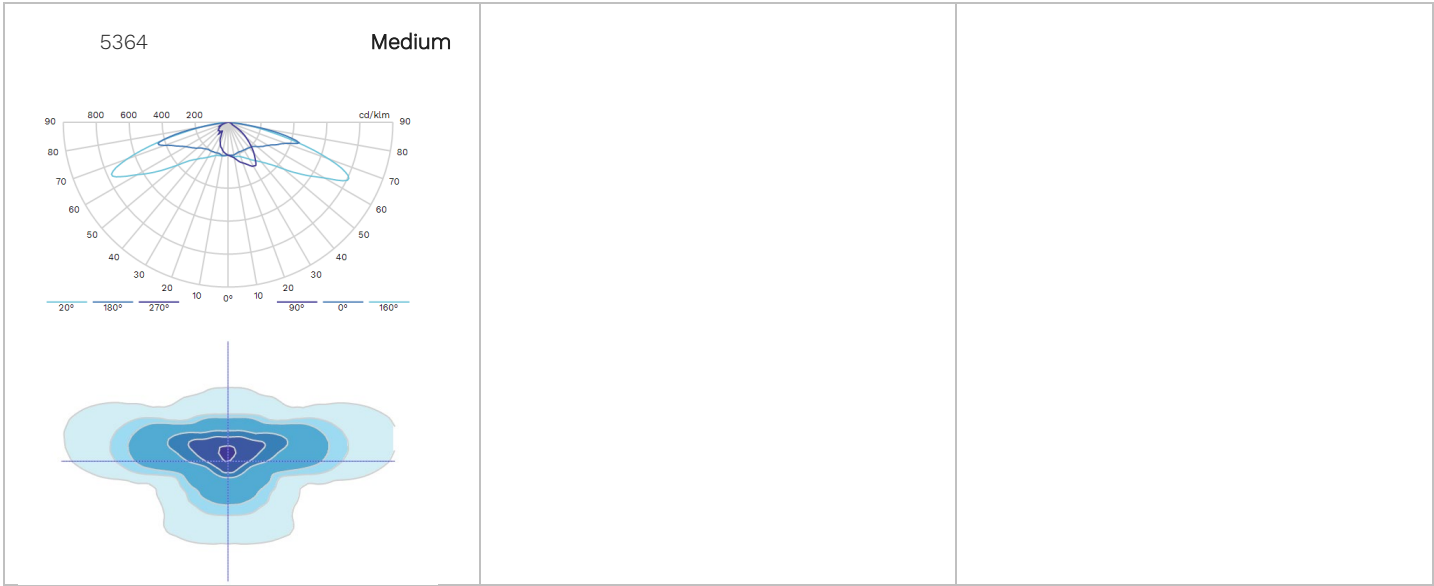
Number of LEDs	Luminaire output flux (lm)						Power consumption (W)		Luminaire efficacy (lm/W)
	Warm White WW 727		Warm White WW 730		Neutral White NW 740		Min	Max	
	Min	Max	Min	Max	Min	Max			Min
48	4000	14800	4200	15600	4800	17700	30	133	Up to 167
64	5300	19800	5600	20800	6400	23600	40	172	170

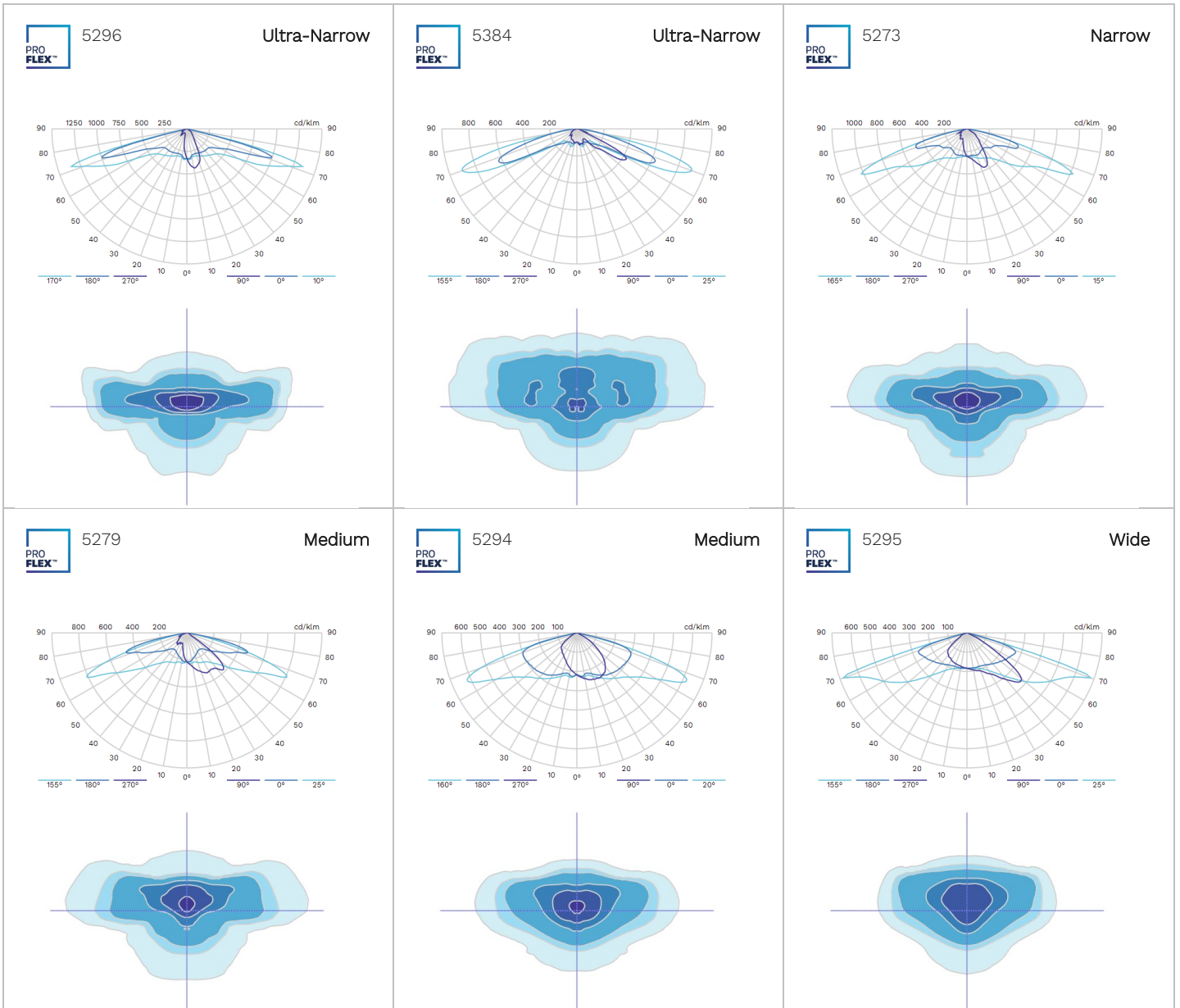
Tolerance on LED flux is ± 7% and on total luminaire power ± 5 %

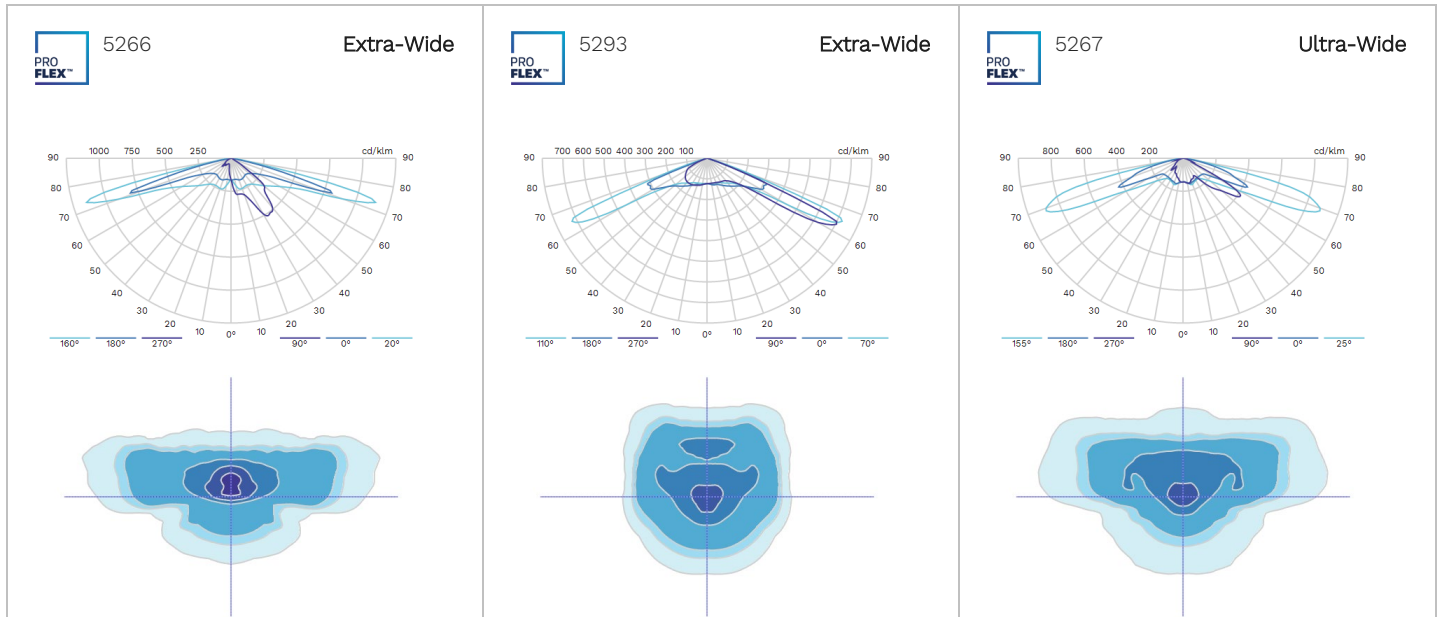


Number of LEDs	Luminaire output flux (lm)						Power consumption (W)		Luminaire efficacy (lm/W)
	Warm White WW 727		Warm White WW 730		Neutral White NW 740		Min	Max	
	Min	Max	Min	Max	Min	Max			Up to
48	4000	14800	4200	15600	4800	17700	30	133	167
64	5300	19800	5600	20800	6400	23600	40	172	170

Tolerance on LED flux is $\pm 7\%$ and on total luminaire power $\pm 5\%$







D-SERIES



D-SERIES




HOLOPHANE[®]
An Acuity Brands Company

D-SERIES

The modern styling of the **D-Series** is striking yet unobtrusive - making a bold, progressive statement as it blends seamlessly with its environment. **D-Series** takes all the benefits of LED technology and moulds it into a high performance, high efficacy and long life area lighting luminaire.

With its exceptional 'finned' thermal management system, **D-Series** is capable of delivering over 100,000 hours LED module life. Offering a wide range of lumen packages and optical distributions, **D-Series** delivers optimised lighting application designs.

With the integrated ZD4i compatibility **D-Series** delivers a controllable luminaire that helps you realise energy consumption goals and demonstrate environmental responsibility. With its unique optics placed below each LED it ensures light is delivered where it needs to be, providing a uniform Nighttime Friendly environment with minimal light pollution.

Applications

- Amenity Areas
- Car Parks
- Retail Parks
- Truck Yards
- Warehousing Exterior Areas

Optics / Light Source

- Lumen packages ranging from 2,000 - 50,000 in 3 different luminaire variants
- Fully soak tested light engines ensuring LED reliability and eliminating early failures.
- 2700K/3000K/4000K colour temperature.
- RA 70.

TM66 CEAM-Make Rating

Rating: 2.6 Excellent Circularity.



TM66 Assured Score

Approvals

Complies with EN60598



IP IP65 luminaire and LED optic

Ta -40°C to +40°C

DSX1



For further information please visit the Holophane website www.holophane.co.uk

D-SERIES

D-SERIES



HOLOPHANE[®]
An Acuity Brands Company

Holophane Europe Limited
Bond Avenue, Bletchley, Milton Keynes MK1 1JG United Kingdom
Telephone: +44 (0)1908 649292
E-mail: info@holophane.co.uk

www.holophane.co.uk

AcuityBrands.



DENVERTM iD WALL



DENVER
iD WALL




HOLOPHANE[®]

REGISTERED EUROPEAN DESIGN
PATENTED DESIGN



WELCOME



WALL DENVER™ iD

The Denver iD: Wall combines a cohesive family aesthetic with an unrivalled system performance - perfect for creating the ideal design-inspired landscape.

Featuring a patented Transition Zone the Denver iD: Wall offers improved visual comfort and lower perceived glare; perfect for the unique requirements of pedestrian-friendly amenity spaces.

Coupled with the latests LED technologies, smart controls integration and class-leading optical performance the new Denver iD: Wall truly brings together form and a feature rich luminaire system.

The Denver iD: Family consists of Pole, Wall and Bollard luminaires, offering the complete solution to your next outdoor environment.

For over 125 years Holophane has enjoyed an enviable reputation throughout the world for expertise, quality and innovation in Lighting. From the earliest days, when the company pioneered its famous glass refractor, the Holophane name has been ever present as a leader in the field of luminaire and lighting design. **Denver iD: Wall** is a continuation of this proud tradition and builds on our heritage of designing luminaires with exceptional optical performance and thermal management which fused together deliver a solution that is future-proof and fully serviceable.

Applications

- Amenity Areas
- Landscaped Areas
- Campuses
- Offices
- Retail Parks
- Walkways
- Car Parks
- Perimeter areas

Overview

- Available with lumen ranges from 700 to 4,000 (delivered lumens).
- 5 optimised optical distributions suitable for a variety of environments.
- 2700K, 3000K & 4000K options available.
- CRI > 70.
- Available with integrated control and emergency options (c.300lm in emergency mode).
- Ease of installation via modular design.
- Spacings of 15m to 20m at 3m mounting height with 5 lux average.

TM66 CEAM-Make Rating



TM66 Assured Score

Approvals



Complies with EN60598

IP65 and IK10

-20°C to +45°C



For further information please visit the Holophane website www.holophane.co.uk

WALL DENVER™ iD



DENVER
iD WALL



Holophane Europe Limited
Bond Avenue, Bletchley, Milton Keynes MK1 1JG United Kingdom
Telephone: +44 (0)1908 649292 E-mail: info@holophane.co.uk

www.holophane.co.uk

 Acuity Brands.





A **CAF** GROUP COMPANY

