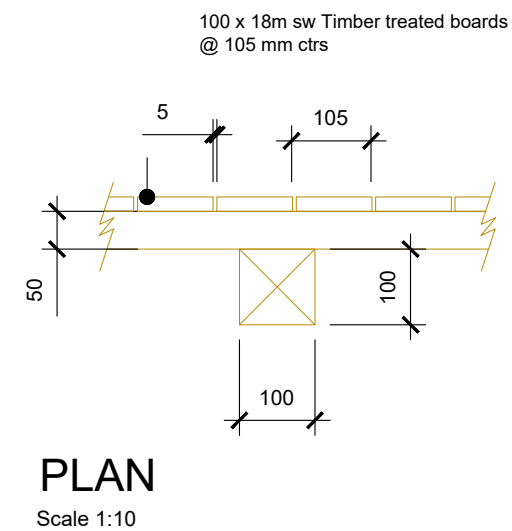
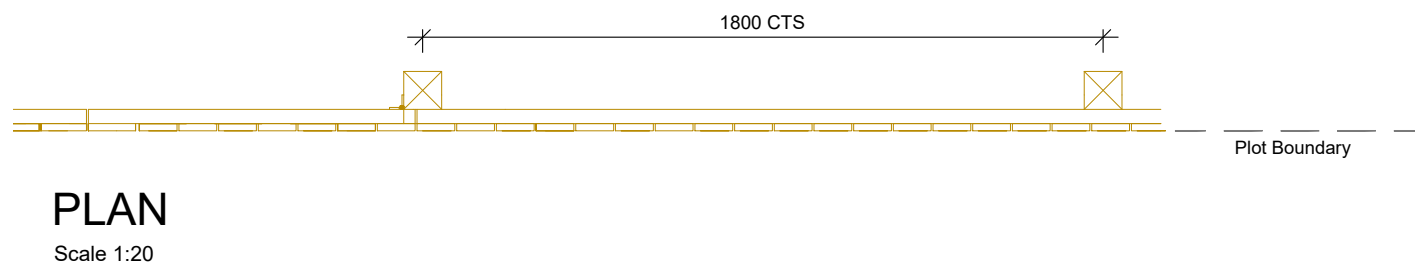
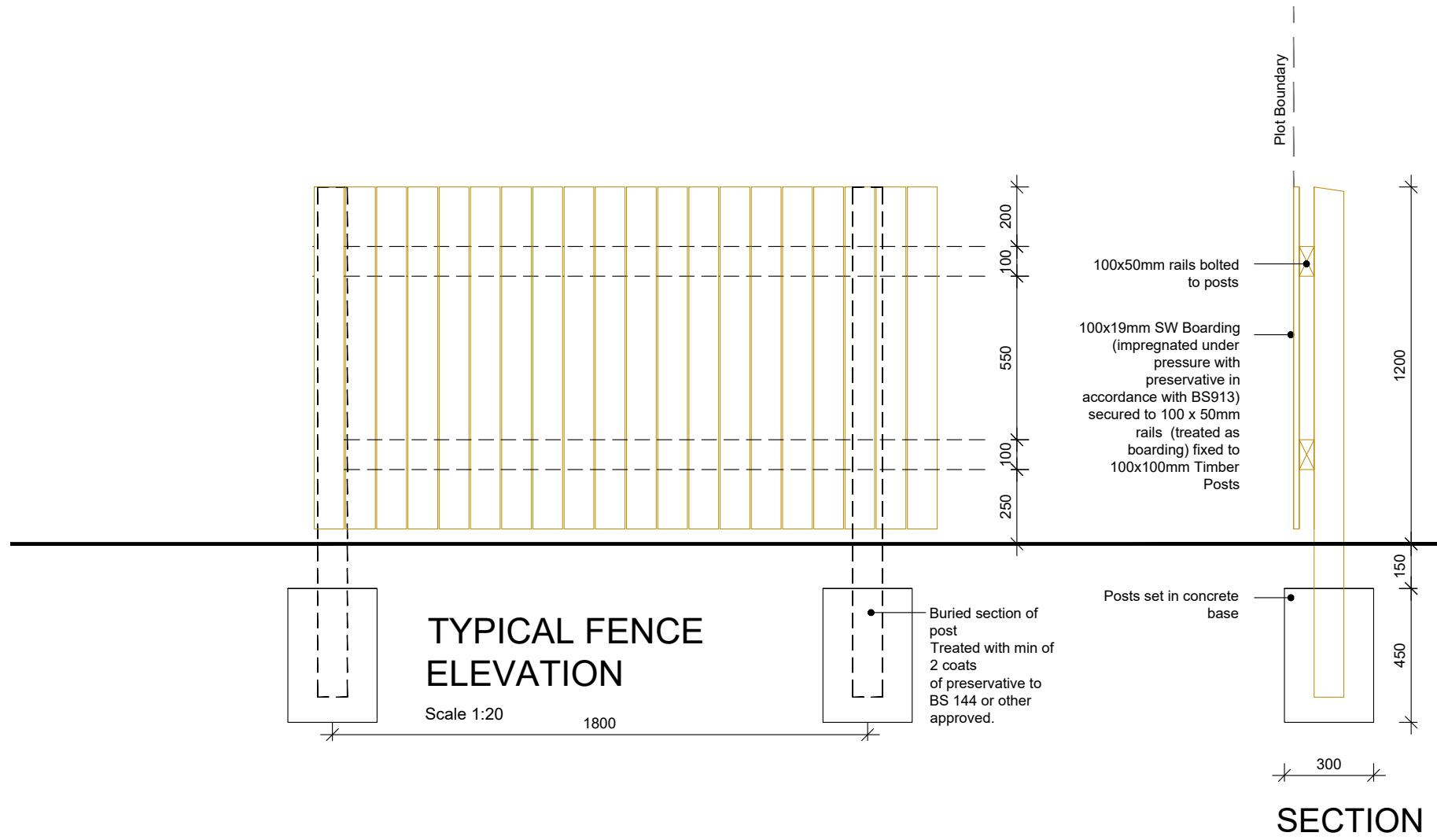


All work to be carried out in accordance with the requirements of the Building Regulations, Water Authority and the Construction (Design and Management) Regulations currently in force.

Do not scale from this drawing. Architect to be notified of any discrepancies.

Verify relevant dimensions on site before commencing work or preparing shop drawings. This drawing is copyright.

Rev:	Date:	Action:	Initials:



SD10.EX.153



strata homes limited quay point lakeside doncaster DN4 5PL
T 01302 308508 F 01302 308501 www.homesbystrata.co.uk

scale: 1:20 1:10 | drawn by: MRB | date: DEC 2014

Project: STANDARD DETAIL

Drawing: CLOSE BOARDED FENCING
1.2m HIGH

Drawing Number: SD10.EX.153	Revision: -
-----------------------------	-------------