

All dimensions & details given on this drawing are to be checked and verified on site prior to works being undertaken. Any discrepancies and/or variations to the specifications within these drawings or associated documents are to be notified to keystonearchitecture.

Do not scale from these drawings - if in doubt - ask.

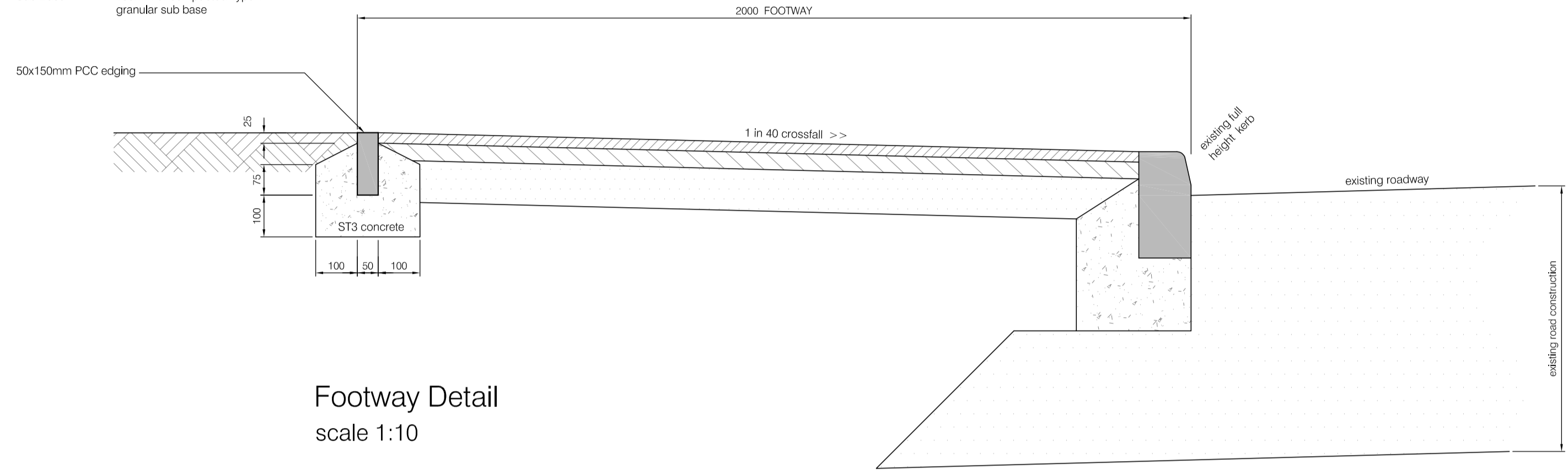
All materials shall be fixed, applied or mixed in accordance with the manufacturers written instructions, recommendations and specifications. Variations to specified materials shall be agreed in writing with keystonearchitecture.

The Contractor shall take into account everything necessary for the proper execution of the works and to the satisfaction of the Local Authority, whether or not indicated on the drawings or in the specification.

This drawing is the copyright of keystonearchitecture and must not be reproduced without written consent. © keystonearchitecture 2025

**FOOTPATH CONSTRUCTION:**

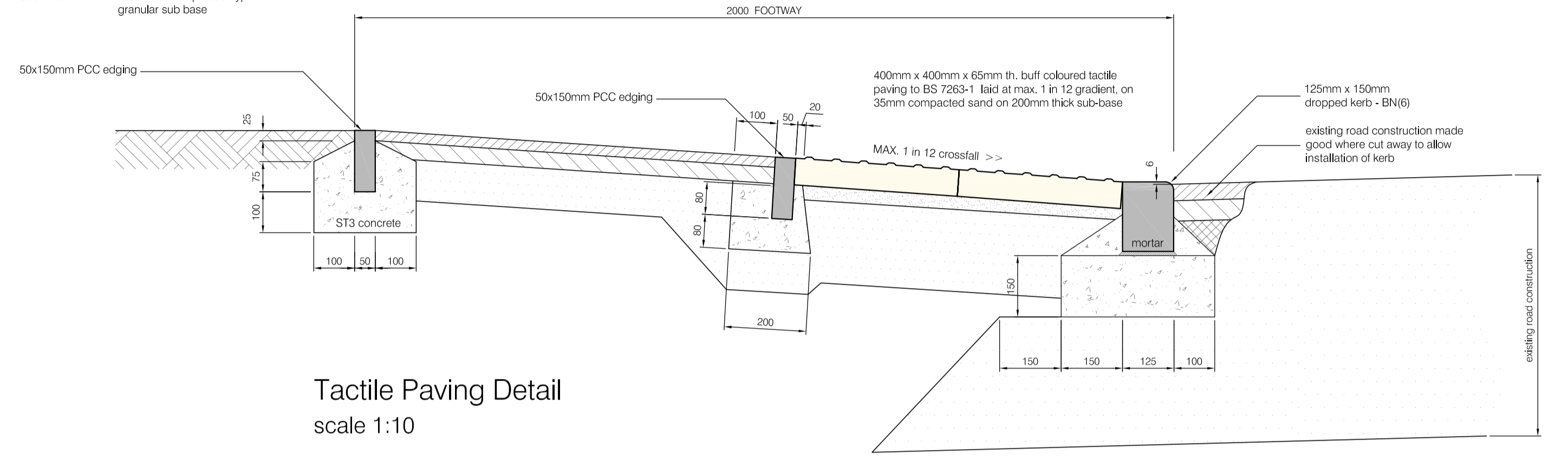
- Wearing Course: 25mm medium graded macadam (8mm nominal size aggregate)
- Base Course: 40mm dense bitumen macadam (20mm nominal size aggregate)
- Sub Base: 100mm of compacted Type 1 granular sub base



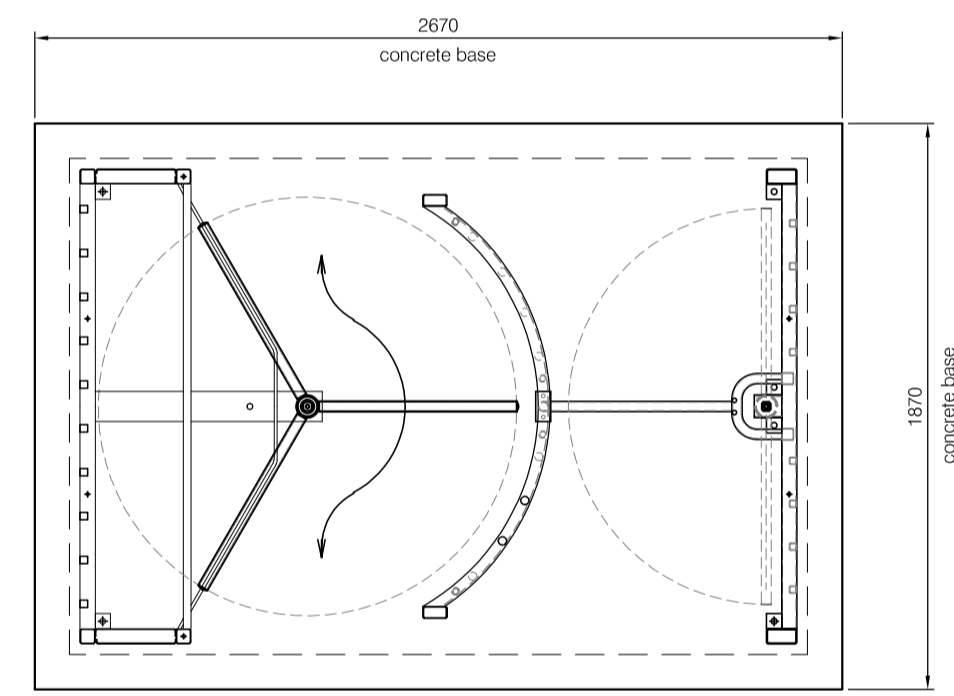
Footway Detail  
scale 1:10

**FOOTPATH CONSTRUCTION:**

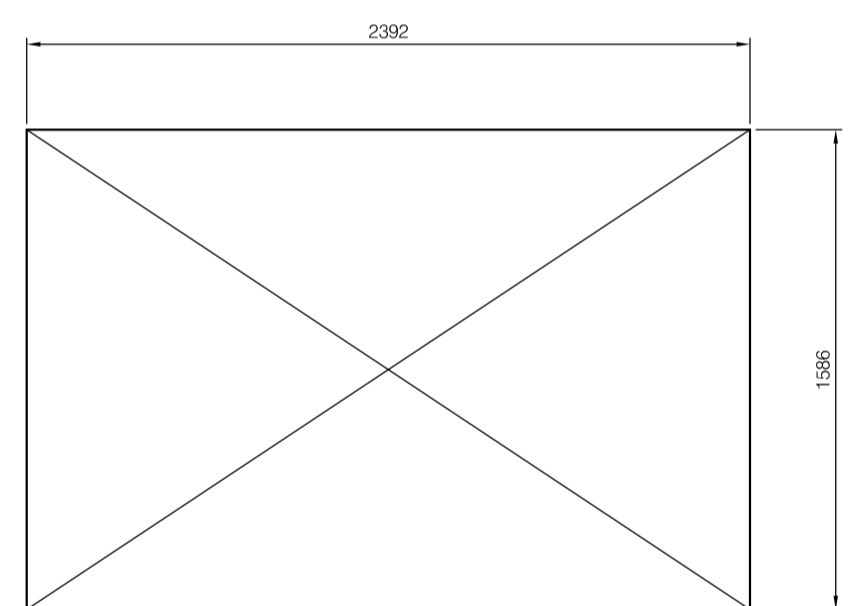
- Wearing Course: 25mm medium graded macadam (8mm nominal size aggregate)
- Base Course: 40mm dense bitumen macadam (20mm nominal size aggregate)
- Sub Base: 100mm of compacted Type 1 granular sub base



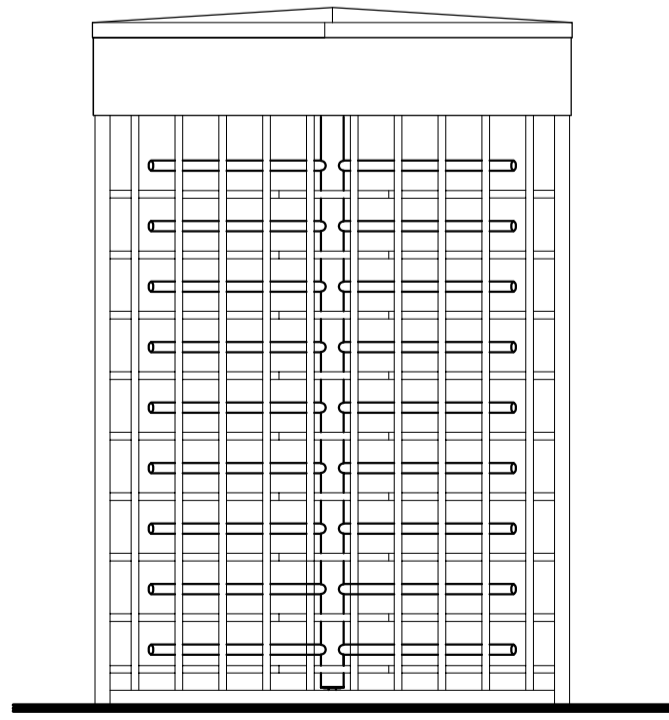
Tactile Paving Detail  
scale 1:10



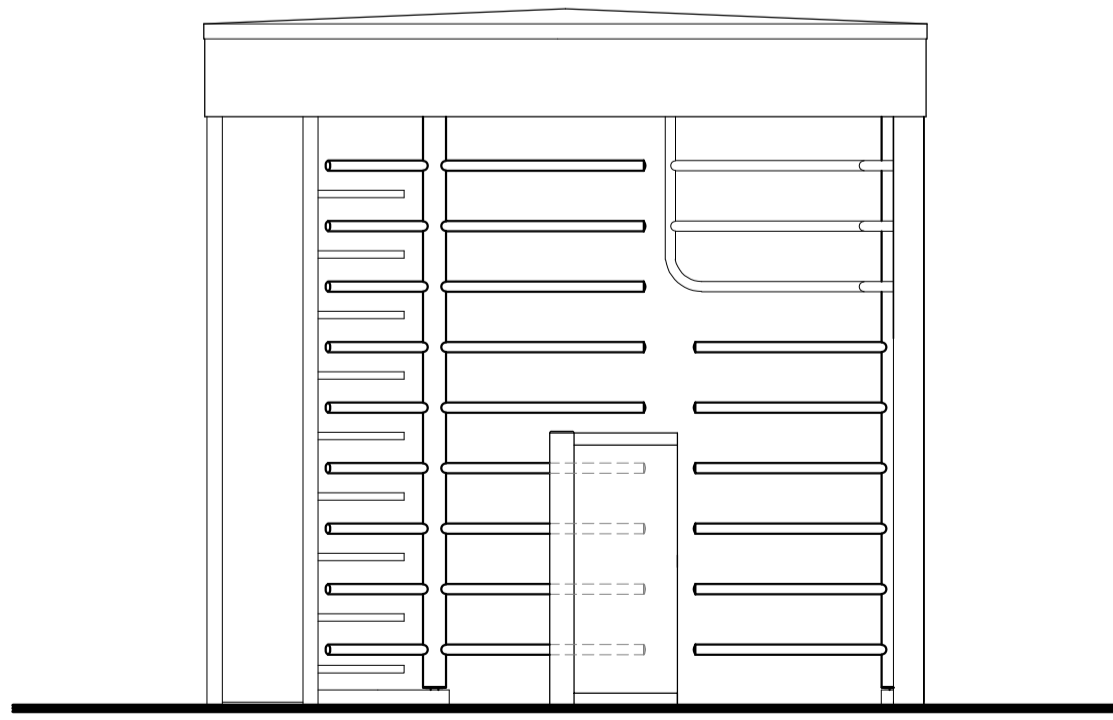
Plan View  
scale 1:25



Roof Plan  
scale 1:25

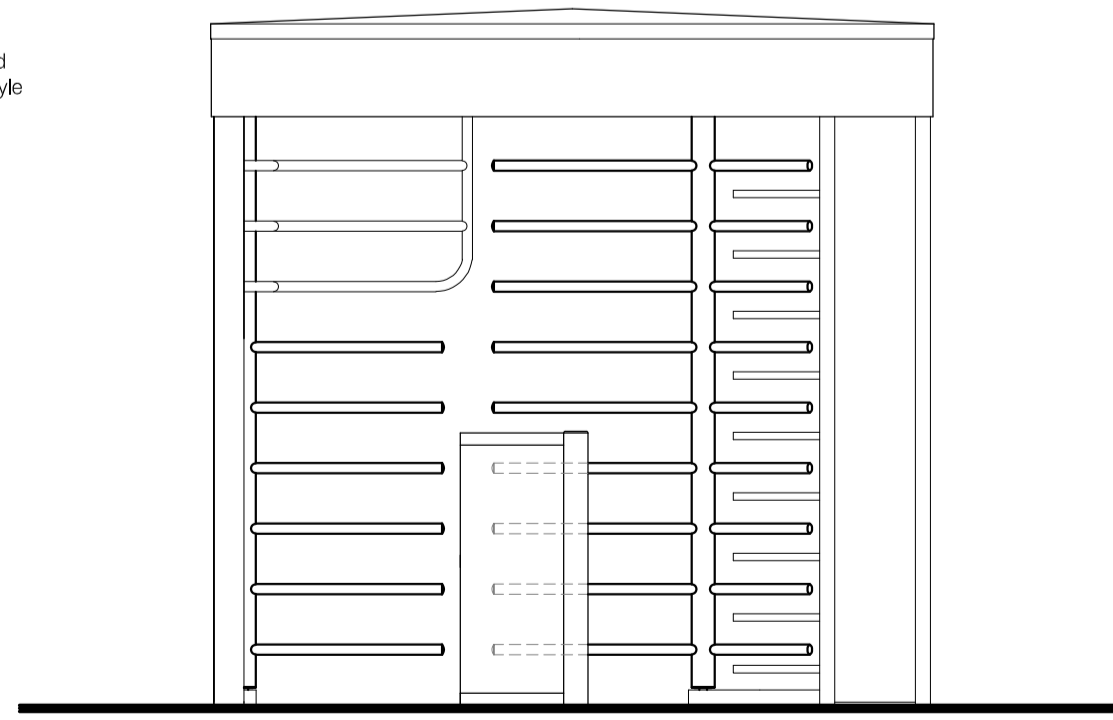


Side Elevation  
scale 1:25

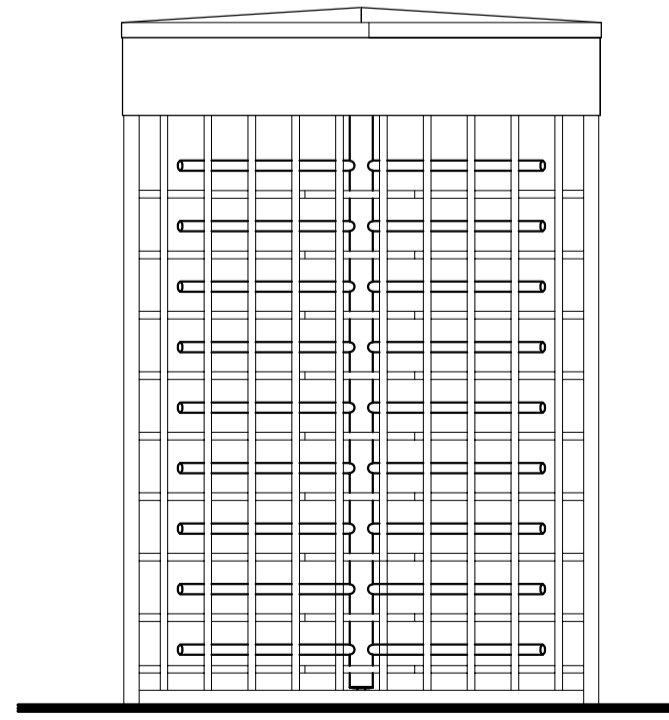


Front Elevation  
scale 1:25

light grey powder coated aluminium / steel turnstyle



Rear Elevation  
scale 1:25



Side Elevation  
scale 1:25

**PLANNING DRAWING ONLY**

rev	amendment	title	Turnstyle and Details	dwg. no.	1964.02
		stage	Planning	drawn	Apr 25
		scale	1:10 & 1:25	drawn by	JCB