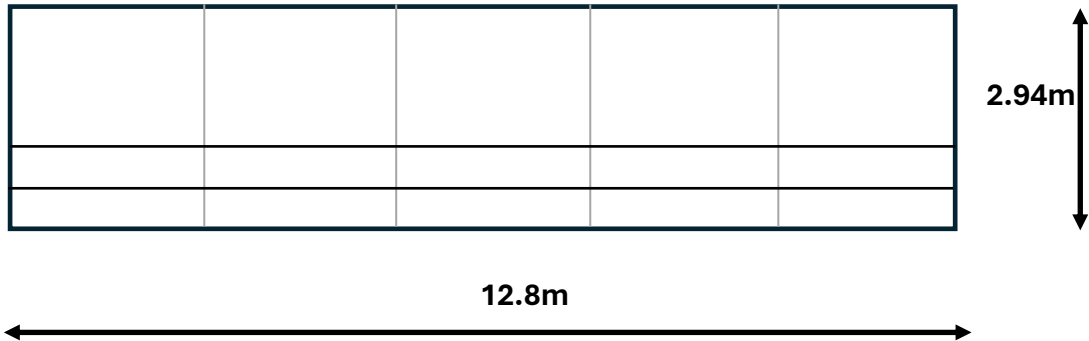


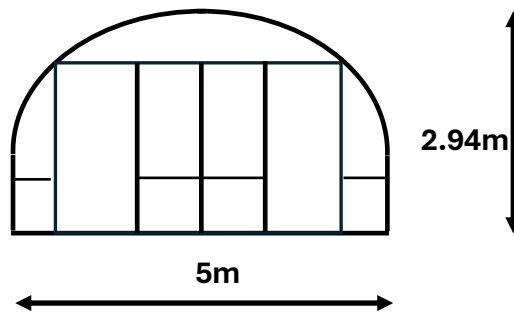
Appendix 4

Proposed exterior elevations Communal Polytunnel

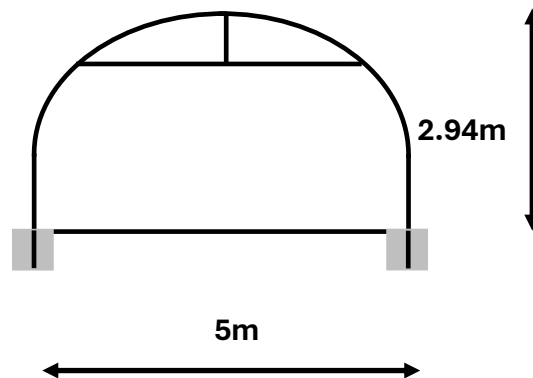
Proposed North & South Elevations



Proposed East and West Elevations



Cross section



Materials

Frame: Galvanised tubing, approx. 80mm x 40mm oval.

Foundation tubes: 1m long tubing at end of each hoop, half of which set into 50cm x 50cm 50 cm concrete base.

Cover: Diffused polythene, including net side vents with protective polythene curtains.

Doors: Heavy duty sliding aluminium doors with steel corner brackets.

Proposed elevations

Scale 1: 100

All dimensions in metres. Do not scale from this drawing

KS 01