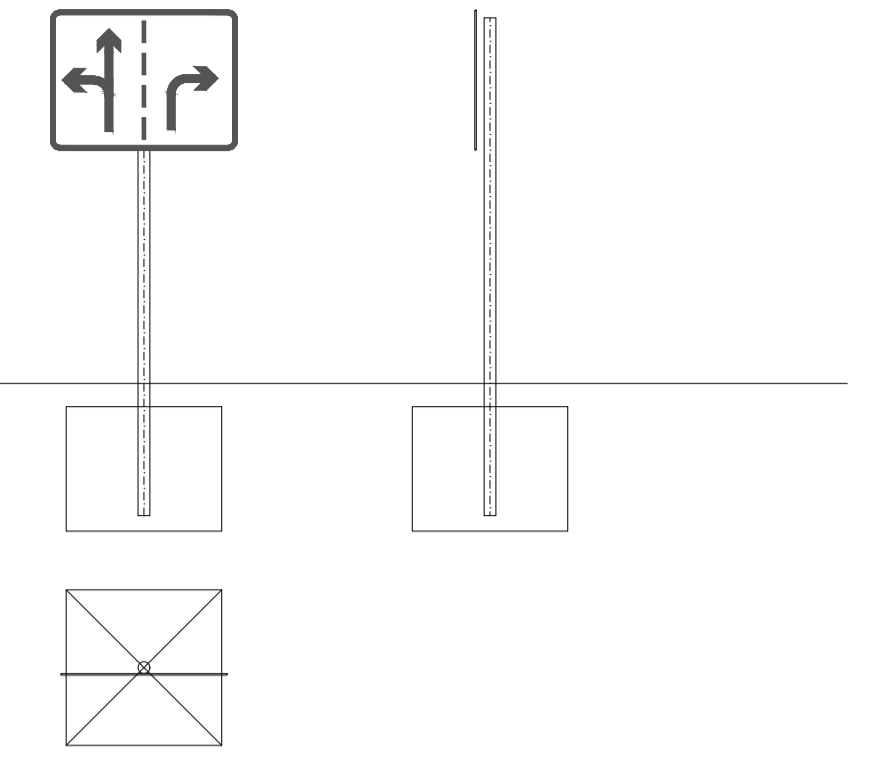
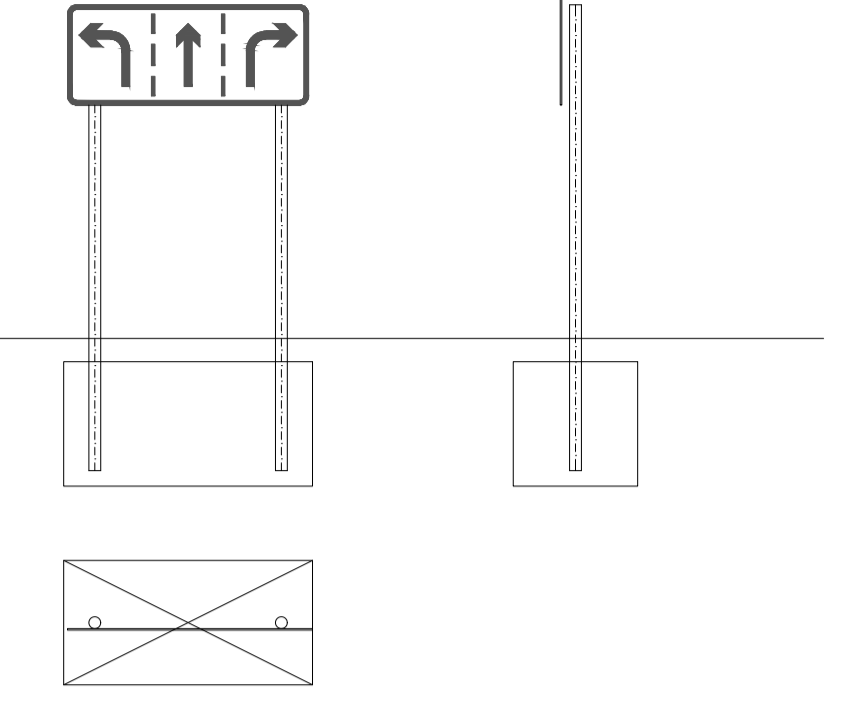


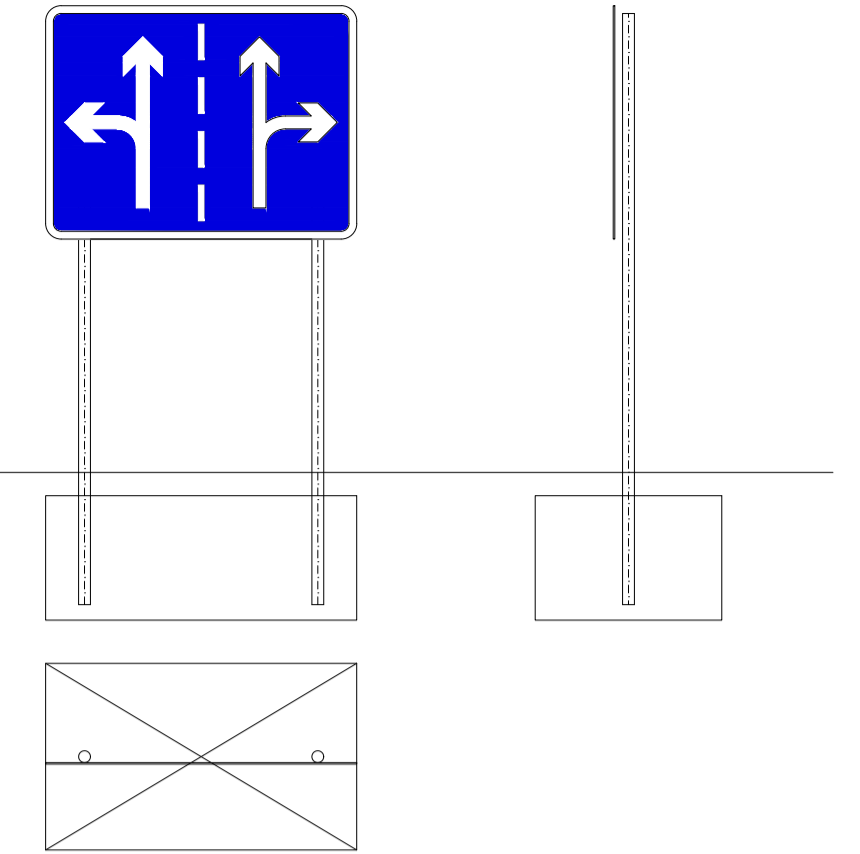
Project Name:	Lincolnshire Lakes			
Sign Ref:	TS-01-33			
Calculation Ref:	20011-LE-01-12-CA-D-0033			
Max Sign Height:	2.40			
Cat 0 Check Required:	No			
Cat 0 Certificate Ref:	n/a			
<b>SIGN FACE DETAILS</b>				
No. Sign Faces:	1			
Sign Arrangement:	n/a			
TSRGD Diag. No.:	033	n/a	n/a	n/a
Sign X-Height:	877	n/a	n/a	n/a
Sign Face Height (mm):	900	n/a	n/a	n/a
Sign Face Width (mm):	1200	n/a	n/a	n/a
Sign Face Area (m2):	1.08	n/a	n/a	n/a
Sign Face Material:	RA2	n/a	n/a	n/a
Sign Illumination:	No	n/a	n/a	n/a
<b>SIGN POST DETAILS</b>				
Number Of Posts:	1			
Post Centres (mm):	S275			
Steel Grade:	S275			
Mounting Height (mm):	POST 1	POST 2	POST 3	POST 4
Post Section:	76 1x3.2	n/a	n/a	n/a
Post Length (mm):	3200	n/a	n/a	n/a
<b>FOUNDATION DETAILS</b>				
Number Of Foundations:	1			
Concrete Specification:	ST4			
Earth Cover (mm):	150			
Reinforcement Type:	n/a			
Foundation Width (mm):	FOUND 1	FOUND 2	FOUND 3	FOUND 4
Foundation Length (mm):	1000	n/a	n/a	n/a
Foundation Depth (mm):	800	n/a	n/a	n/a
Foundation Volume (m3):	0.80	n/a	n/a	n/a



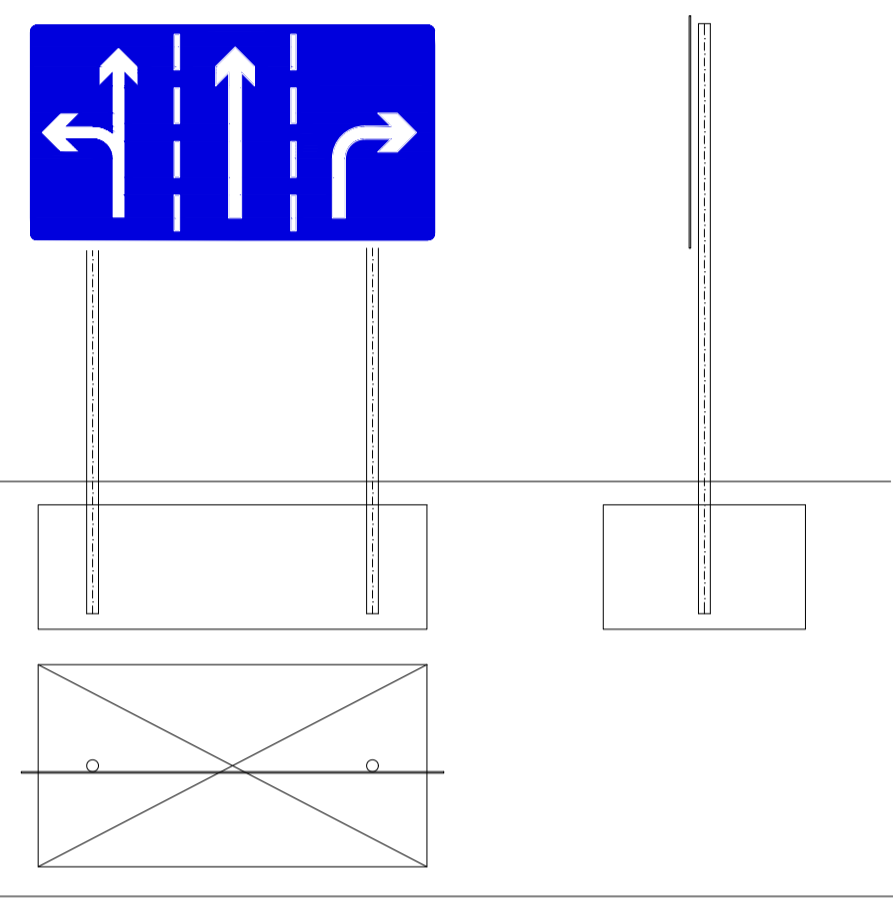
Project Name:	Lincolnshire Lakes			
Sign Ref:	TS-01-34			
Calculation Ref:	20011-LE-01-12-CA-D-0034			
Max Sign Height:	2.15			
Cat 0 Check Required:	No			
Cat 0 Certificate Ref:	n/a			
<b>SIGN FACE DETAILS</b>				
No. Sign Faces:	1			
Sign Arrangement:	n/a			
TSRGD Diag. No.:	034	n/a	n/a	n/a
Sign X-Height:	877	n/a	n/a	n/a
Sign Face Height (mm):	650	n/a	n/a	n/a
Sign Face Width (mm):	1550	n/a	n/a	n/a
Sign Face Area (m2):	1.01	n/a	n/a	n/a
Sign Face Material:	RA2	n/a	n/a	n/a
Sign Illumination:	No	n/a	n/a	n/a
<b>SIGN POST DETAILS</b>				
Number Of Posts:	2			
Post Centres (mm):	1200			
Steel Grade:	S275			
Mounting Height (mm):	POST 1	POST 2	POST 3	POST 4
Post Section:	1500	1500	n/a	n/a
Post Length (mm):	76 1x3.2	76 1x3.2	n/a	n/a
Post Length (mm):	2950	2950	n/a	n/a
<b>FOUNDATION DETAILS</b>				
Number Of Foundations:	1			
Concrete Specification:	ST4			
Earth Cover (mm):	150			
Reinforcement Type:	n/a			
Foundation Width (mm):	FOUND 1	FOUND 2	FOUND 3	FOUND 4
Foundation Length (mm):	1650	n/a	n/a	n/a
Foundation Depth (mm):	800	n/a	n/a	n/a
Foundation Volume (m3):	1.02	n/a	n/a	n/a



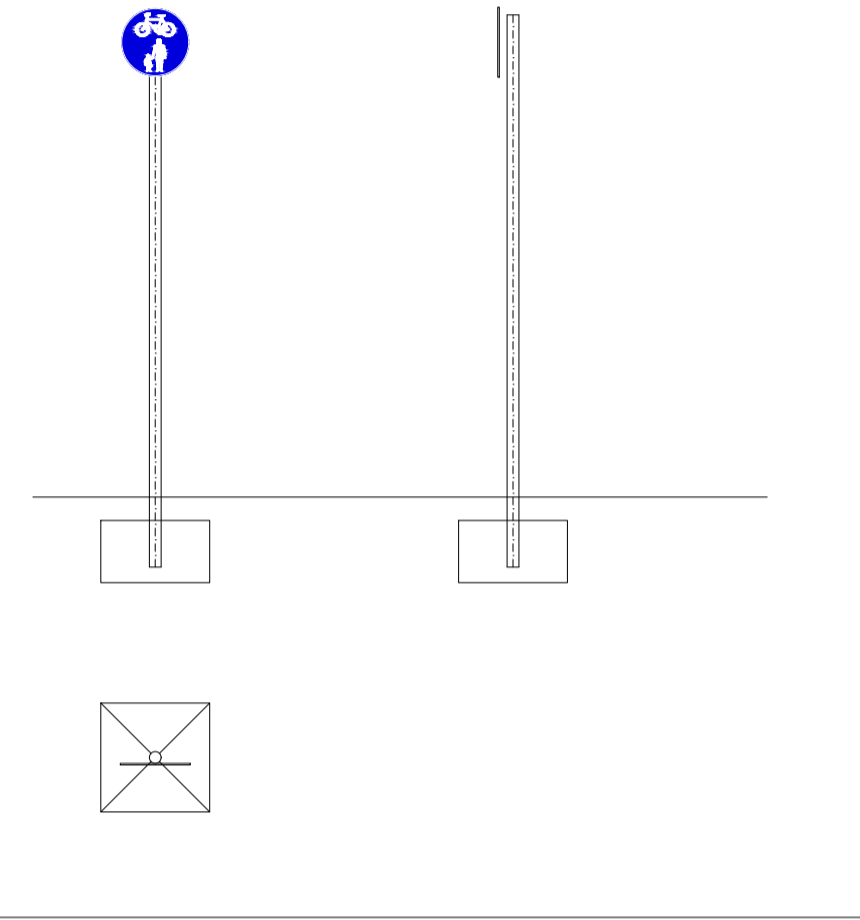
Project Name:	Lincolnshire Lakes			
Sign Ref:	TS-01-35			
Calculation Ref:	20011-LE-01-12-CA-D-0035			
Max Sign Height:	3.00			
Cat 0 Check Required:	No			
Cat 0 Certificate Ref:	n/a			
<b>SIGN FACE DETAILS</b>				
No. Sign Faces:	1			
Sign Arrangement:	n/a			
TSRGD Diag. No.:	035	n/a	n/a	n/a
Sign X-Height:	877	n/a	n/a	n/a
Sign Face Height (mm):	1500	n/a	n/a	n/a
Sign Face Width (mm):	2000	n/a	n/a	n/a
Sign Face Area (m2):	3.00	n/a	n/a	n/a
Sign Face Material:	RA2	n/a	n/a	n/a
Sign Illumination:	No	n/a	n/a	n/a
<b>SIGN POST DETAILS</b>				
Number Of Posts:	2			
Post Centres (mm):	1500			
Steel Grade:	S275			
Mounting Height (mm):	POST 1	POST 2	POST 3	POST 4
Post Section:	1500	1500	n/a	n/a
Post Length (mm):	76 1x3.2	76 1x3.2	n/a	n/a
Post Length (mm):	3800	3800	n/a	n/a
<b>FOUNDATION DETAILS</b>				
Number Of Foundations:	1			
Concrete Specification:	ST4			
Earth Cover (mm):	150			
Reinforcement Type:	n/a			
Foundation Width (mm):	FOUND 1	FOUND 2	FOUND 3	FOUND 4
Foundation Length (mm):	2000	n/a	n/a	n/a
Foundation Depth (mm):	1200	n/a	n/a	n/a
Foundation Volume (m3):	1.92	n/a	n/a	n/a



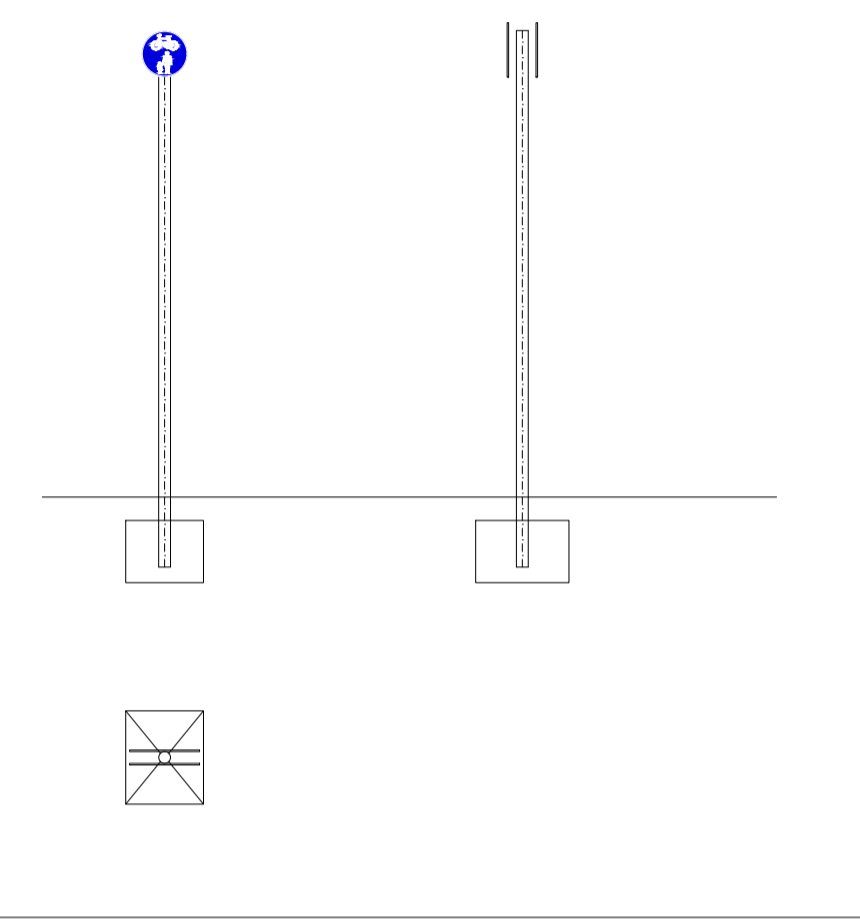
Project Name:	Lincolnshire Lakes			
Sign Ref:	TS-01-36			
Calculation Ref:	20011-LE-01-12-CA-D-0036			
Max Sign Height:	3.00			
Cat 0 Check Required:	No			
Cat 0 Certificate Ref:	n/a			
<b>SIGN FACE DETAILS</b>				
No. Sign Faces:	1			
Sign Arrangement:	n/a			
TSRGD Diag. No.:	036	n/a	n/a	n/a
Sign X-Height:	877	n/a	n/a	n/a
Sign Face Height (mm):	1500	n/a	n/a	n/a
Sign Face Width (mm):	2720	n/a	n/a	n/a
Sign Face Area (m2):	4.08	n/a	n/a	n/a
Sign Face Material:	RA2	n/a	n/a	n/a
Sign Illumination:	No	n/a	n/a	n/a
<b>SIGN POST DETAILS</b>				
Number Of Posts:	2			
Post Centres (mm):	1800			
Steel Grade:	S275			
Mounting Height (mm):	POST 1	POST 2	POST 3	POST 4
Post Section:	1500	1500	n/a	n/a
Post Length (mm):	76 1x5.0	76 1x5.0	n/a	n/a
Post Length (mm):	3800	3800	n/a	n/a
<b>FOUNDATION DETAILS</b>				
Number Of Foundations:	1			
Concrete Specification:	ST4			
Earth Cover (mm):	150			
Reinforcement Type:	n/a			
Foundation Width (mm):	FOUND 1	FOUND 2	FOUND 3	FOUND 4
Foundation Length (mm):	2500	n/a	n/a	n/a
Foundation Depth (mm):	1300	n/a	n/a	n/a
Foundation Volume (m3):	2.60	n/a	n/a	n/a



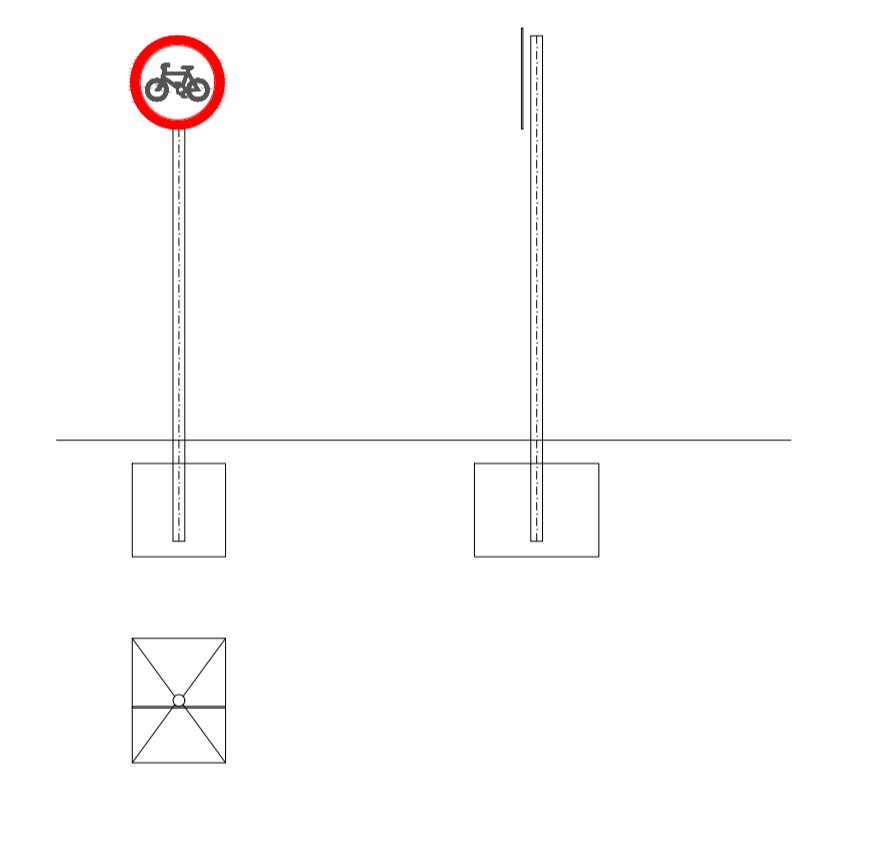
Project Name:	Lincolnshire Lakes			
Sign Ref:	TS-01-37			
Calculation Ref:	20011-LE-01-12-CA-D-0037			
Max Sign Height:	3.15			
Cat 0 Check Required:	No			
Cat 0 Certificate Ref:	n/a			
<b>SIGN FACE DETAILS</b>				
No. Sign Faces:	1			
Sign Arrangement:	n/a			
TSRGD Diag. No.:	037	n/a	n/a	n/a
Sign X-Height:	956	n/a	n/a	n/a
Sign Face Height (mm):	450	n/a	n/a	n/a
Sign Face Width (mm):	450	n/a	n/a	n/a
Sign Face Area (m2):	0.16	n/a	n/a	n/a
Sign Face Material:	RA2	n/a	n/a	n/a
Sign Illumination:	No	n/a	n/a	n/a
<b>SIGN POST DETAILS</b>				
Number Of Posts:	1			
Post Centres (mm):	n/a			
Steel Grade:	S275			
Mounting Height (mm):	POST 1	POST 2	POST 3	POST 4
Post Section:	2700	n/a	n/a	n/a
Post Length (mm):	76 1x3.2	n/a	n/a	n/a
Post Length (mm):	3550	n/a	n/a	n/a
<b>FOUNDATION DETAILS</b>				
Number Of Foundations:	1			
Concrete Specification:	ST4			
Earth Cover (mm):	150			
Reinforcement Type:	n/a			
Foundation Width (mm):	FOUND 1	FOUND 2	FOUND 3	FOUND 4
Foundation Length (mm):	700	n/a	n/a	n/a
Foundation Depth (mm):	700	n/a	n/a	n/a
Foundation Volume (m3):	0.20	n/a	n/a	n/a



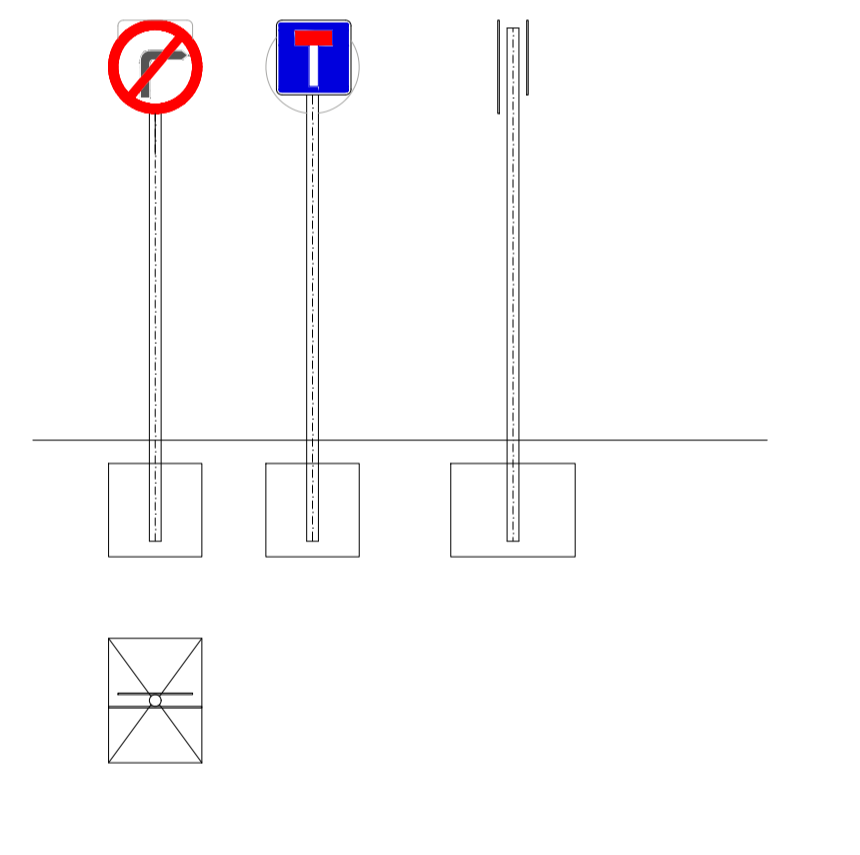
Project Name:	Lincolnshire Lakes			
Sign Ref:	TS-01-38			
Calculation Ref:	20011-LE-01-12-CA-D-0038			
Max Sign Height:	3.00			
Cat 0 Check Required:	No			
Cat 0 Certificate Ref:	n/a			
<b>SIGN FACE DETAILS</b>				
No. Sign Faces:	2			
Sign Arrangement:	Back to Back			
TSRGD Diag. No.:	038a	038b	n/a	n/a
Sign X-Height:	956	956	n/a	n/a
Sign Face Height (mm):	n/a	n/a	n/a	n/a
Sign Face Width (mm):	300	300	n/a	n/a
Sign Face Area (m2):	0.07	0.07	n/a	n/a
Sign Face Material:	RA2	RA2	n/a	n/a
Sign Illumination:	No	No	n/a	n/a
<b>SIGN POST DETAILS</b>				
Number Of Posts:	1			
Post Centres (mm):	n/a			
Steel Grade:	S275			
Mounting Height (mm):	POST 1	POST 2	POST 3	POST 4
Post Section:	2700	n/a	n/a	n/a
Post Length (mm):	76 1x3.2	n/a	n/a	n/a
Post Length (mm):	3400	n/a	n/a	n/a
<b>FOUNDATION DETAILS</b>				
Number Of Foundations:	1			
Concrete Specification:	ST4			
Earth Cover (mm):	150			
Reinforcement Type:	n/a			
Foundation Width (mm):	FOUND 1	FOUND 2	FOUND 3	FOUND 4
Foundation Length (mm):	500	n/a	n/a	n/a
Foundation Depth (mm):	600	n/a	n/a	n/a
Foundation Volume (m3):	0.12	n/a	n/a	n/a



Project Name:	Lincolnshire Lakes			
Sign Ref:	TS-01-39			
Calculation Ref:	20011-LE-01-12-CA-D-0039			
Max Sign Height:	2.60			
Cat 0 Check Required:	No			
Cat 0 Certificate Ref:	n/a			
<b>SIGN FACE DETAILS</b>				
No. Sign Faces:	1			
Sign Arrangement:	n/a			
TSRGD Diag. No.:	039	n/a	n/a	n/a
Sign X-Height:	951	n/a	n/a	n/a
Sign Face Height (mm):	600	n/a	n/a	n/a
Sign Face Width (mm):	600	n/a	n/a	n/a
Sign Face Area (m2):	0.28	n/a	n/a	n/a
Sign Face Material:	RA2	n/a	n/a	n/a
Sign Illumination:	No	n/a	n/a	n/a
<b>SIGN POST DETAILS</b>				
Number Of Posts:	1			
Post Centres (mm):	n/a			
Steel Grade:	S275			
Mounting Height (mm):	POST 1	POST 2	POST 3	POST 4
Post Section:	2100	n/a	n/a	n/a
Post Length (mm):	76 1x3.2	n/a	n/a	n/a
Post Length (mm):	3200	n/a	n/a	n/a
<b>FOUNDATION DETAILS</b>				
Number Of Foundations:	1			
Concrete Specification:	ST4			
Earth Cover (mm):	150			
Reinforcement Type:	n/a			
Foundation Width (mm):	FOUND 1	FOUND 2	FOUND 3	FOUND 4
Foundation Length (mm):	600	n/a	n/a	n/a
Foundation Depth (mm):	800	n/a	n/a	n/a
Foundation Volume (m3):	0.29	n/a	n/a	n/a

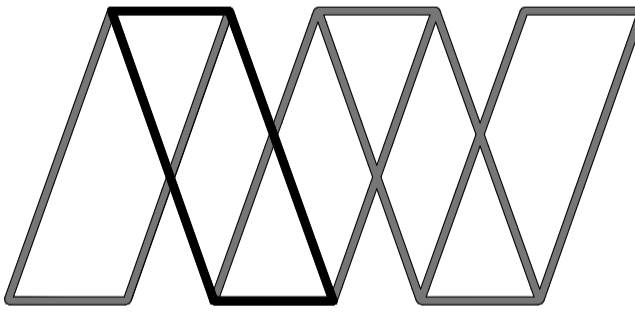


Project Name:	Lincolnshire Lakes			
Sign Ref:	TS-01-40			
Calculation Ref:	20011-LE-01-12-CA-D-0040			
Max Sign Height:	2.70			
Cat 0 Check Required:	No			
Cat 0 Certificate Ref:	n/a			
<b>SIGN FACE DETAILS</b>				
No. Sign Faces:	2			
Sign Arrangement:	Back to Back			
TSRGD Diag. No.:	040a	040b	n/a	n/a
Sign X-Height:	816	612	n/a	n/a
Sign Face Height (mm):	n/a	n/a	n/a	n/a
Sign Face Width (mm):	480	600	n/a	n/a
Sign Face Area (m2):	0.23	0.28	n/a	n/a
Sign Face Material:	RA2	RA2	n/a	n/a
Sign Illumination:	No	No	n/a	n/a
<b>SIGN POST DETAILS</b>				
Number Of Posts:	1			
Post Centres (mm):	n/a			
Steel Grade:	S275			
Mounting Height (mm):	POST 1	POST 2	POST 3	POST 4
Post Section:	2100	n/a	n/a	n/a
Post Length (mm):	76 1x3.2	n/a	n/a	n/a
Post Length (mm):	3300	n/a	n/a	n/a
<b>FOUNDATION DETAILS</b>				
Number Of Foundations:	1			
Concrete Specification:	ST4			
Earth Cover (mm):	150			
Reinforcement Type:	n/a			
Foundation Width (mm):	FOUND 1	FOUND 2	FOUND 3	FOUND 4
Foundation Length (mm):	600	n/a	n/a	n/a
Foundation Depth (mm):	800	n/a	n/a	n/a
Foundation Volume (m3):	0.29	n/a	n/a	n/a




- NOTES:
- FOR DETAILS OF TRAFFIC SIGNS REFER TO APPENDIX 12/1.
  - ALL SIGNS TO BE IN ACCORDANCE WITH THE TRAFFIC SIGNS REGULATIONS AND GENERAL DIRECTIONS 2016.

P01 REVISED SIGN DETAILS	21.07.21	TH	CK	RL
P01 FIRST ISSUE	14.06.21	TH	CK	RL
Rev Description	Date	By	Chk	App



**Alan Wood & Partners**

<b>York Office</b> Omega 2 Monks Cross Drive York YO32 9GZ  T. 01904 611594 www.alanwood.co.uk	<b>Consulting Civil &amp; Structural Engineers</b> Project Managers Building Surveyors  Hull T. 01462 442138 Lincoln T. 01522 300210 London T. 02071 860761 Scarborough T. 01723 865484 Sheffield T. 01142 440077 Leeds T. 01135 311098
---	--

Project:	LINCOLNSHIRE LAKES, SCUNTHORPE M181/B1450 HIGHWAY WORKS			
Client:	 MALT GRADE			
Drawing:	TRAFFIC SIGN SCHEDULE-SHEET 4			
Role:	CIVIL ENGINEER			
Drawing Status:	FOR TENDER			
Job no.	43972	Scale@ A1:	NTS	Rev. P02
Project Originator Volume Level Type Role Number				
LLHI - AWP - 01 - 12 - DR - D - 0104				