

TYPICAL ELEVATION

Viewed from Outside
Scale 1:10

INTERNALLY GLAZED RESURGENCE WINDOWS

The maximum sizes stated below (mm) are based on 28mm 4-20-4 standard double glazed units within frames manufactured to the reinforcement guidelines.

MAXIMUM SIZES FOR :

Resurgence Flush Sash top hung - (sash size):
1265 w x 1342 h, **max sash weight = 34.0kg**

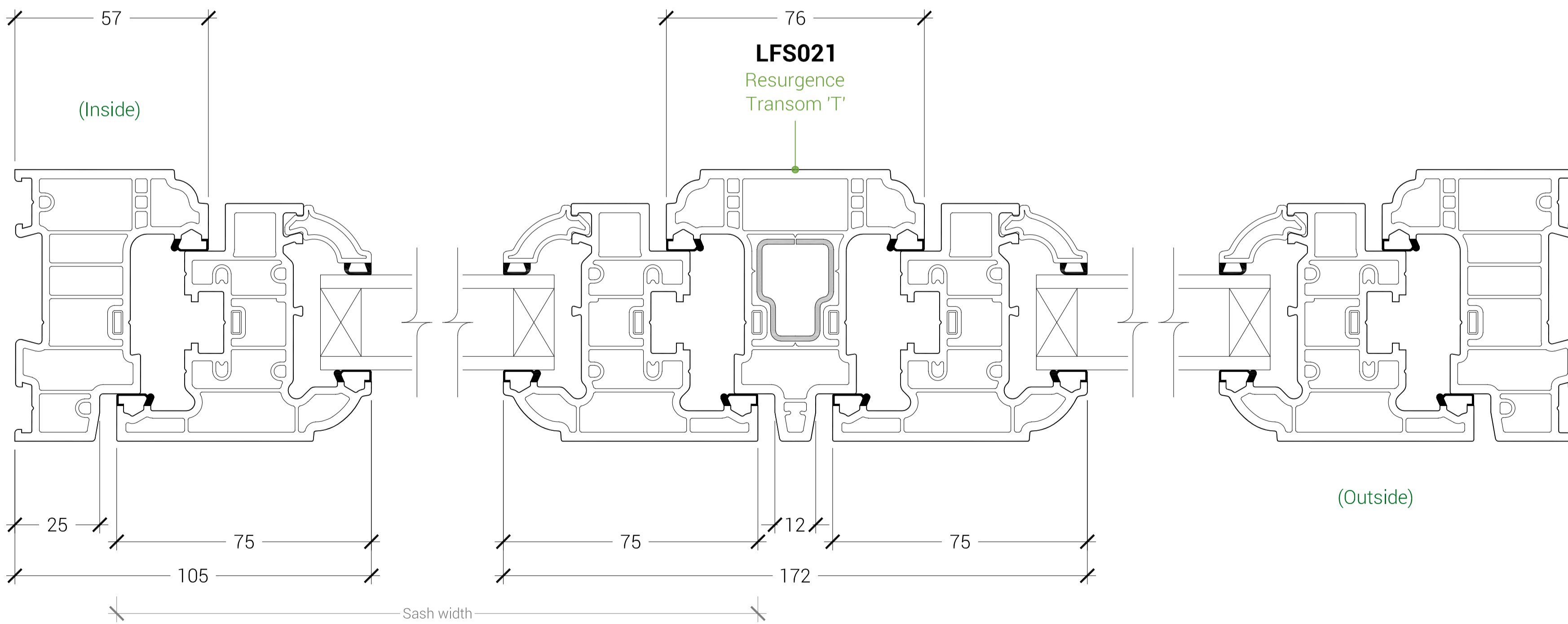
Resurgence Flush Sash side hung - (sash size):
715 w x 1342 h, **max sash weight = 19.2kg**

Finished frame sizes are subject to size, height of installation geographical location.
For further guidance contact Liniar's Design or Technical departments.

KITEMARK KM522039

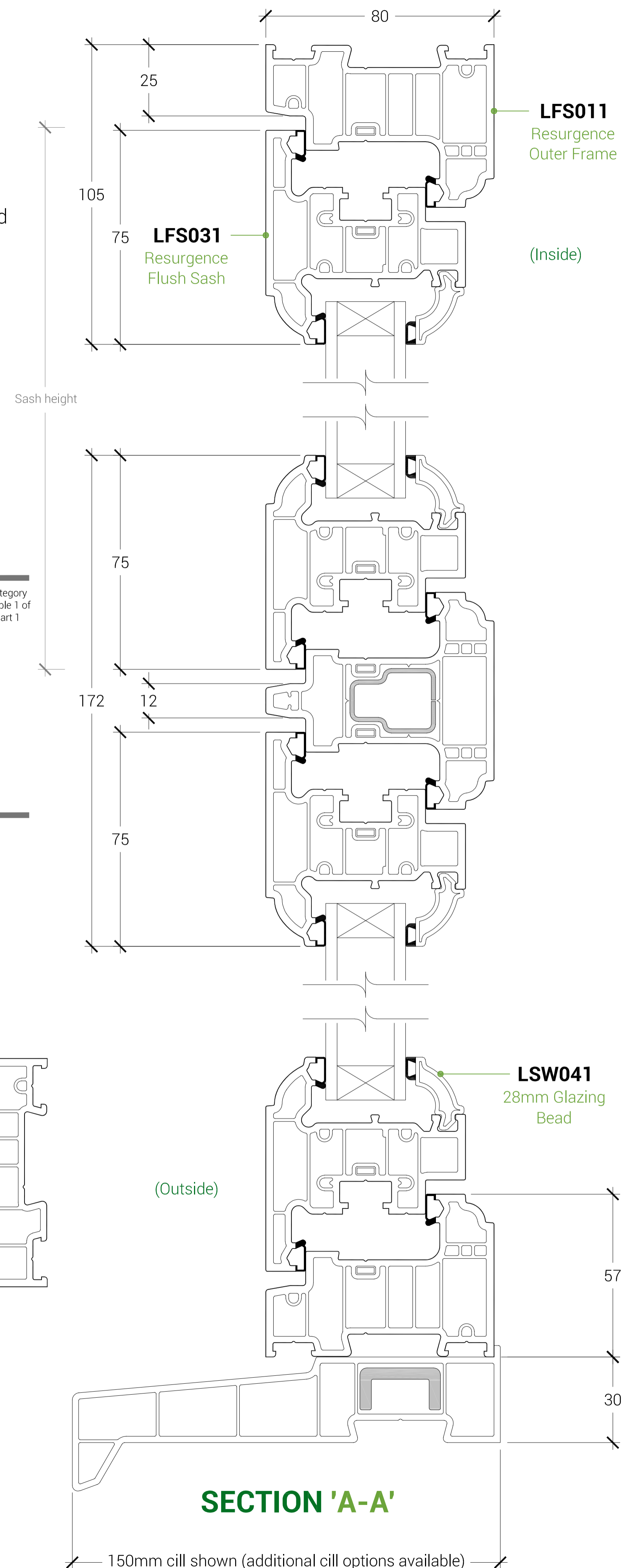
In respect of:
BS EN 12608 / PAS24
PVCU Profile - Enhanced Security Windows System Supplier

	Width (mm)	Height (mm)	Area (m ²)	Transom length (mm) inc frame	Air Permeability classification	Watertightness classification	Resistance to wind classification	Exposure Category as given in table 1 of BS 6375-Part 1
Maximum Sash Characteristics								
Top hung opening sash	1200	1200	-	-	4	7A	CE	2400
Side hung opening sash	600	1200	-	-	4	7A	CE	2400
Maximum Frame characteristics								
Fixed frame	1340	1340	1.80	-	4	E1050	AE	2400
Maximum Transom/Mullion characteristics								
Aluminium Reinforced members with LFS212	2050	1400	2.87	1340	4	E1050	AE	2400
Steel Reinforced members with LFS121	2050	1400	2.87	1340	4	E1050	AE	2400



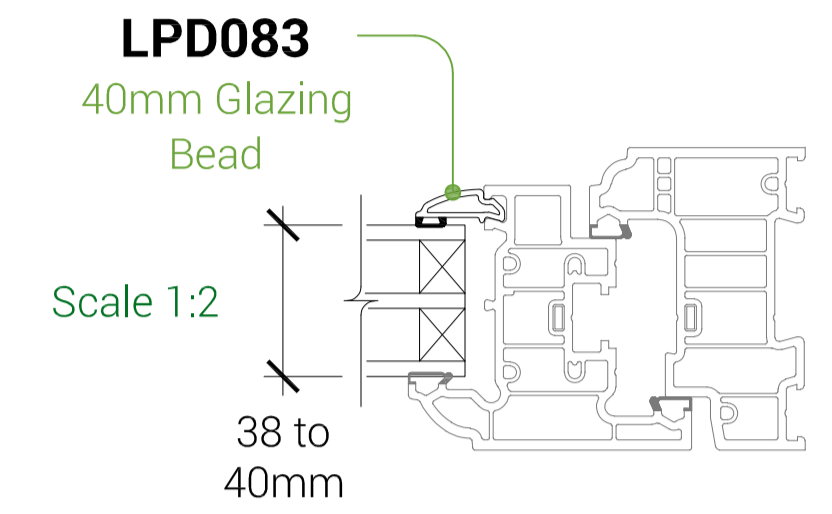
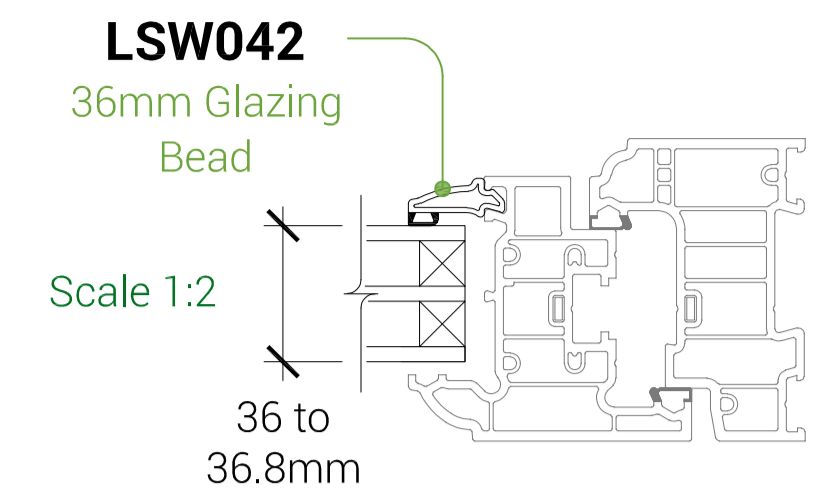
Reinforcement shown for reference only

SECTION 'B-B'



SECTION 'A-A'

ALTERNATIVE BEAD OPTIONS TRIPLE GLAZING



DETAIL 'C'

ADDITIONAL ENHANCEMENTS

